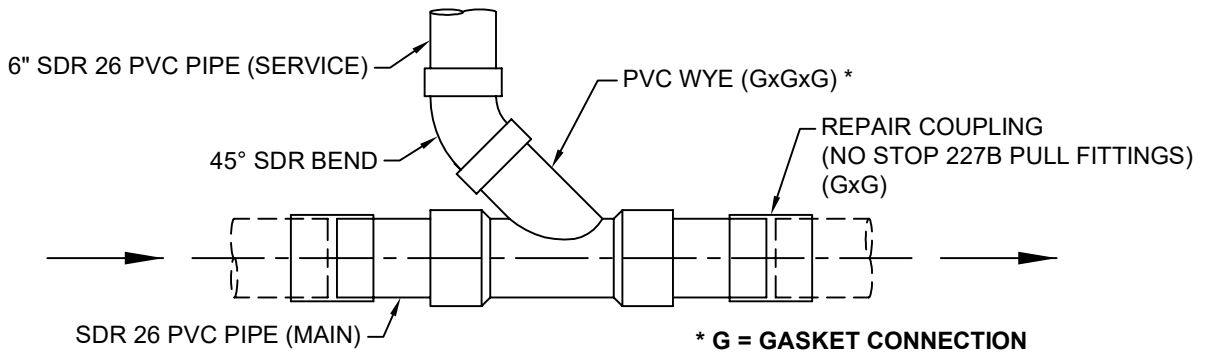
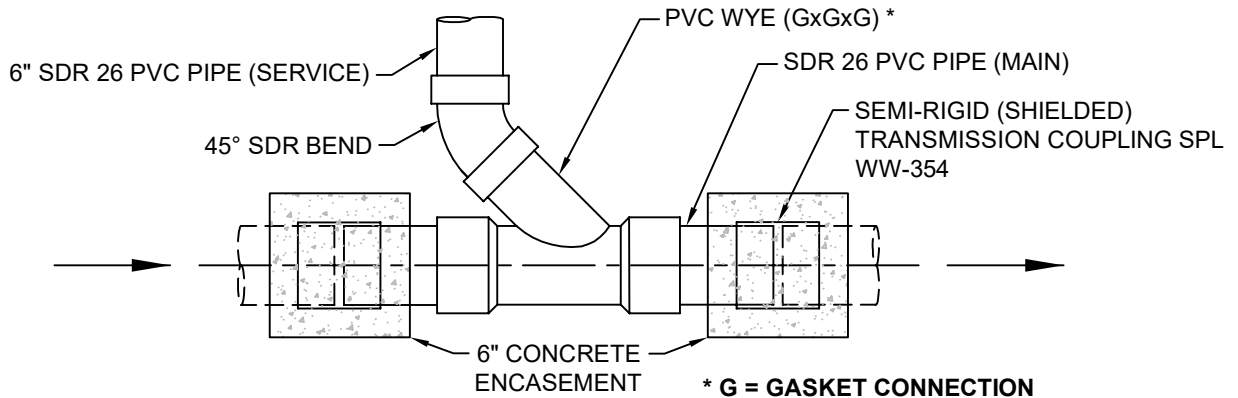


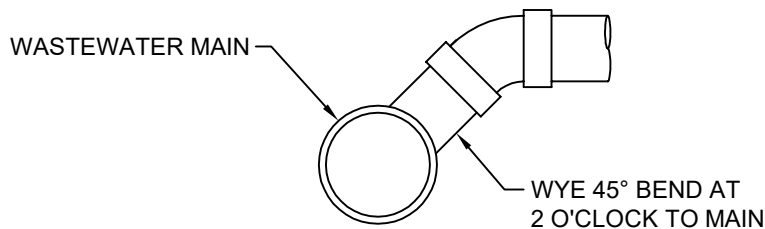
REMOVAL



REPLACEMENT FOR EXISTING PVC MAIN



REPLACEMENT FOR EXISTING CONCRETE, CLAY, AND AC MAIN



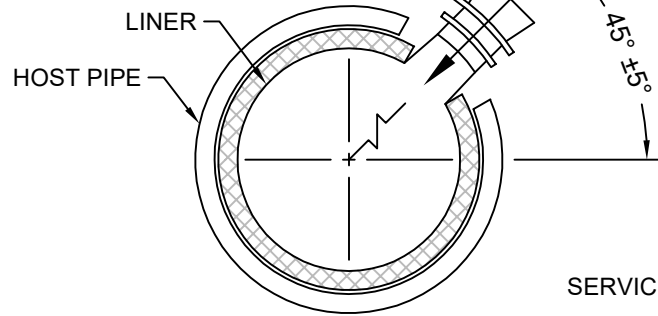
SERVICE LINE TO PROPOSED PVC MAIN

NOTES:

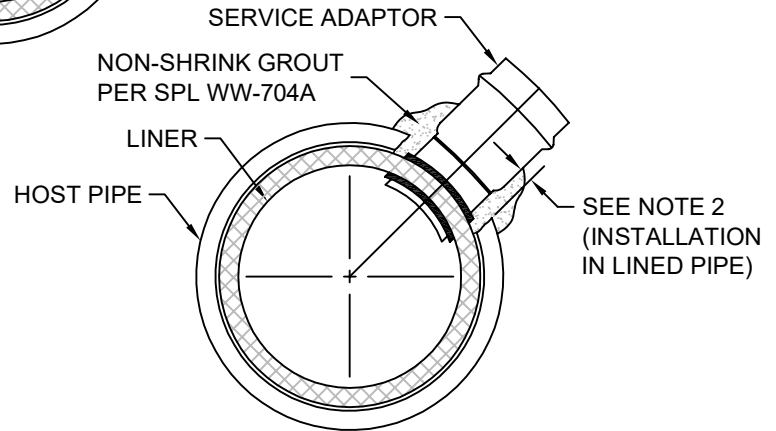
1. ALL 45° BENDS AND SANITARY WYE'S WILL BE ROTATED TO WHERE THE BRANCH IS AT 2 O'CLOCK TO THE MAIN. BACKFILL PER 510S-S&L-SM
2. AC PIPE HAS TO BE REMOVED TO THE NEAREST JOINT BEYOND COMPETENT PIPE.

<p>The City of San Marcos Engineering and Capital Improvements</p>		<p>WASTEWATER CONNECTION ON EXISTING MAIN</p>	
<p>RECORD COPY SIGNED BY</p> <hr/> <p>LAURIE MOYER, P.E.</p>	<p>6/1/2018</p> <hr/> <p>ADOPTED</p>	<p>THE ARCHITECT/ENGINEER ASSUMES RESPONSIBILITY FOR APPROPRIATE USE OF THIS STANDARD.</p>	<p>STANDARD NO.</p> <p>520-AW-01B-SM</p> <p>1 OF 2</p>

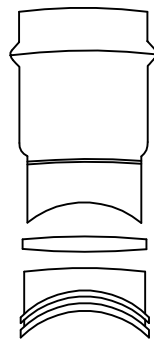
SERVICE ADAPTOR CONSISTING OF SINGLE-BODY GASKETED BELL HAVING SDR 26 PVC HUB, RUBBER SLEEVE AND STAINLESS STEEL BAND. SEE SPL WW-227D & DETAIL "A"



DETAIL "A"



DETAIL "B"



INSTALLATION IN LINED PIPE:

1. MARK LOCATION OF TAP.
2. BREAK & REMOVE HOST PIPE SO THAT OPENING IS AT LEAST 2" BUT NO MORE THAN 3" WIDER THAN DIAMETER OF THE SERVICE ADAPTOR.
3. DO NOT DAMAGE LINER.
4. CORE HOLE THROUGH LINER USING ADAPTOR MANUFACTURER RECOMMENDED BIT.
5. INSTALL SERVICE ADAPTOR.
6. HOLES CUT IN HOST PIPE SHALL BE PACKED WITH NON-SHRINK GROUT (SPL WW-704A). SEE DETAIL "B"

NOTES:

1. USE ONLY TO TAP EXISTING LINED PIPE OR EXISTING TRANSITION MAIN..
2. THE EDGE OF THE CORE HOLE MUST BE AT LEAST 3' FROM THE ENDS OF THE PIPE, ANY OTHER CORE SERVICE CONNECTIONS, AND ANY FITTINGS.

**6" WASTEWATER CONNECTION TO EXISTING LINED MAIN
OR EXISTING TRANSMISSION MAIN**

REFERENCES
DETAIL 510S-S&L-SM

<p align="center">The City of San Marcos Engineering and Capital Improvements</p>		<p align="center">WASTEWATER CONNECTION ON EXISTING MAIN</p>	
<p>RECORD COPY SIGNED BY</p> <hr/> <p>Laurie Moyer, P.E.</p>	<p>6/1/2018</p> <hr/> <p>ADOPTED</p>	<p>THE ARCHITECT/ENGINEER ASSUMES RESPONSIBILITY FOR APPROPRIATE USE OF THIS STANDARD.</p>	<p>STANDARD NO. 520-AW-01B-SM 2 OF 2</p>