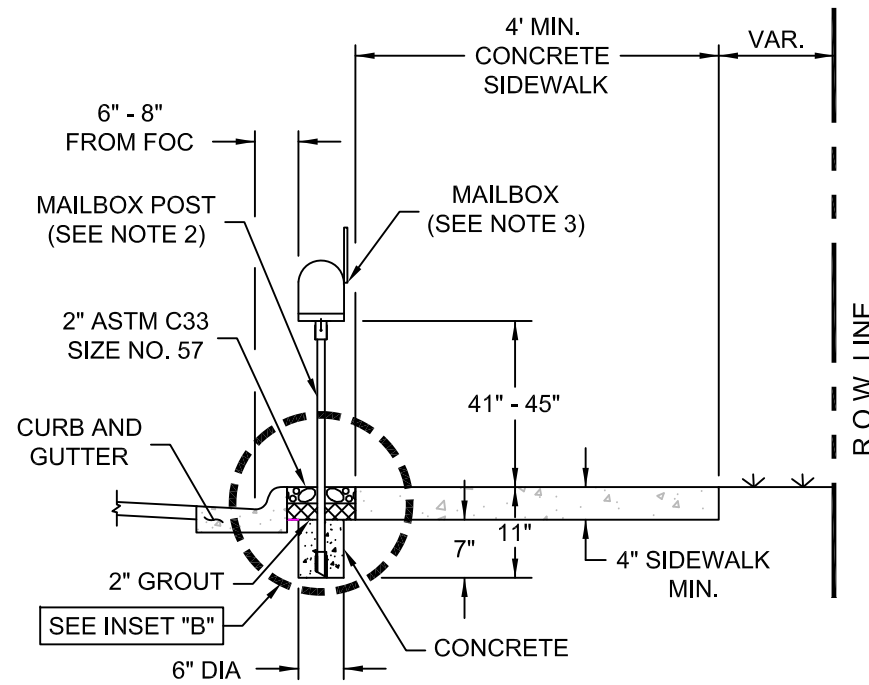
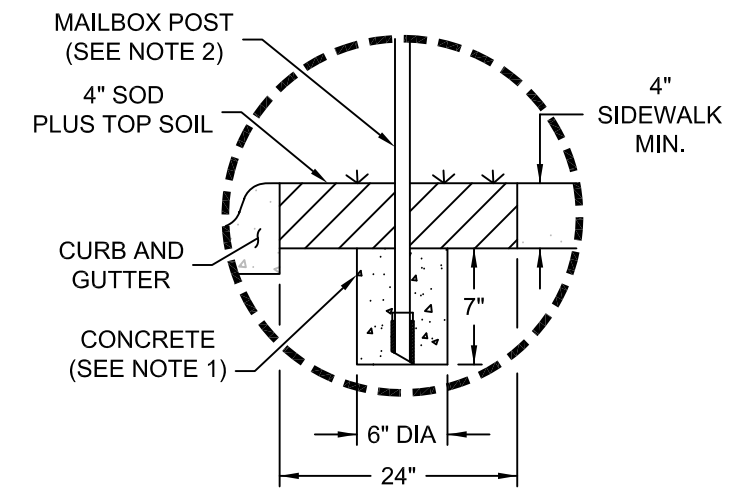


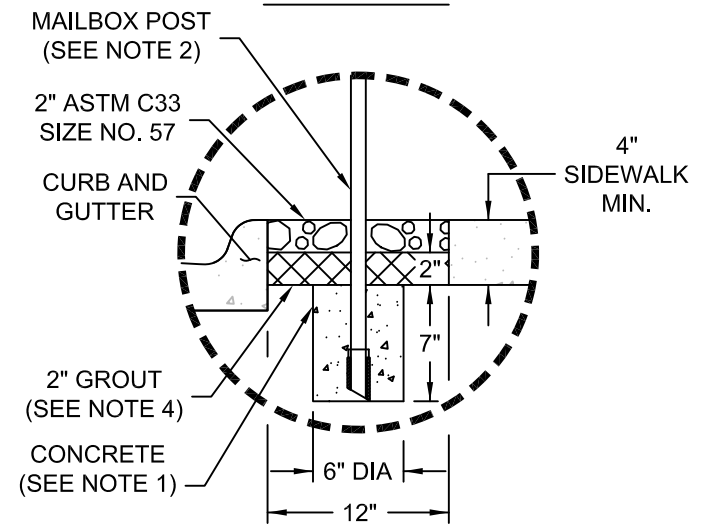
MAILBOX SIDEWALK INSTALLATION
(OUTSIDE THE SIDEWALK)



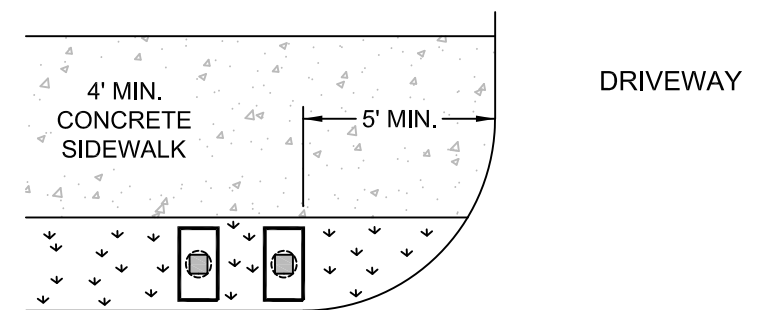
MAILBOX SIDEWALK INSTALLATION
(INSIDE THE SIDEWALK)



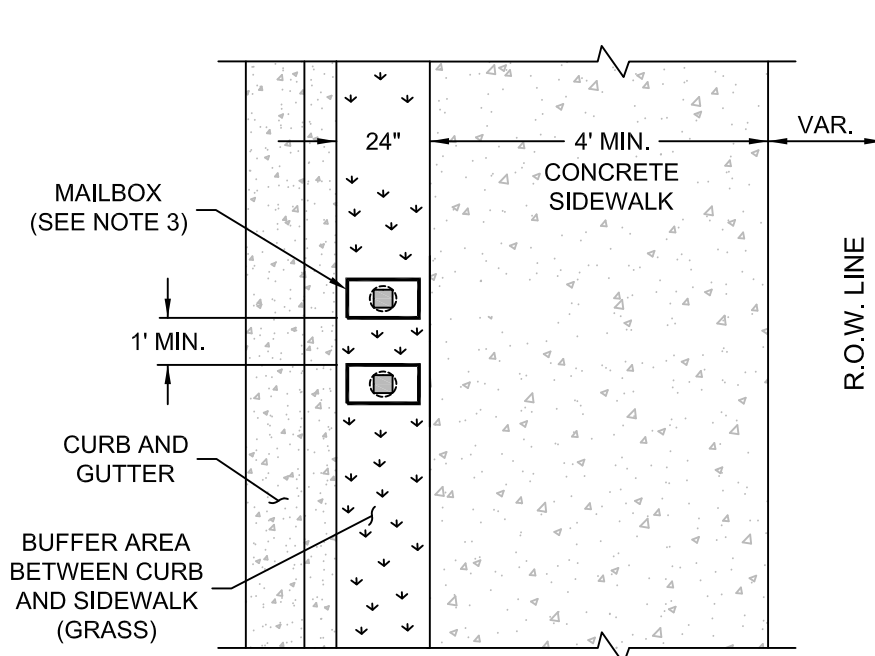
INSET "A"



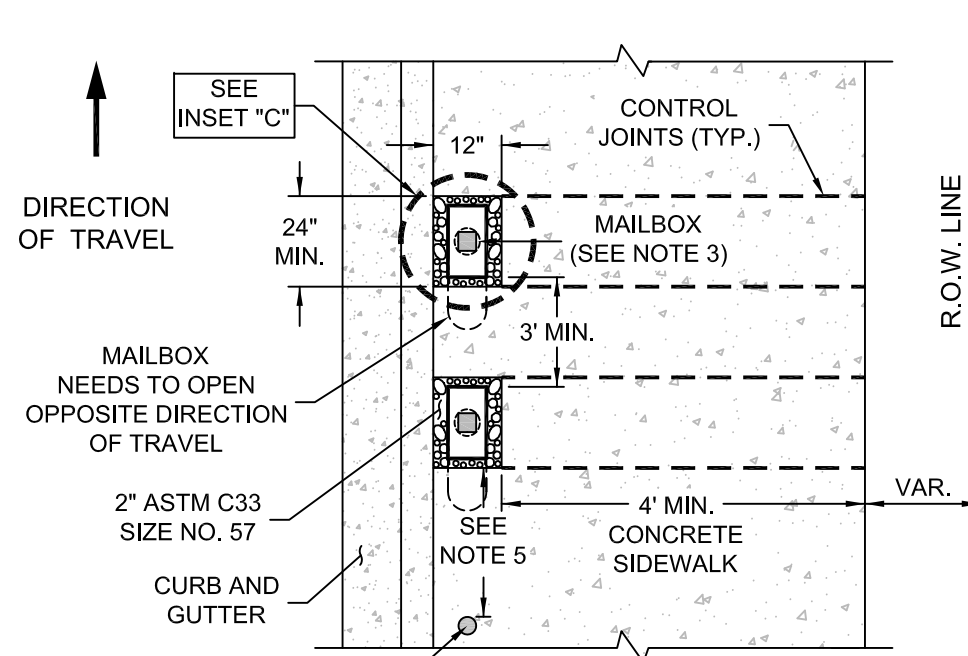
INSET "B"



MAILBOX AT DRIVEWAYS

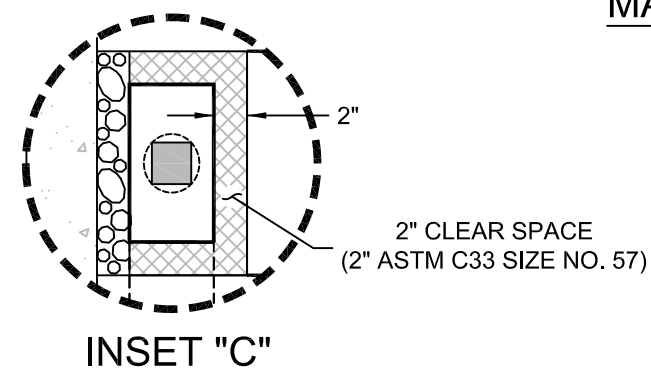


PLAN VIEW



PLAN VIEW

LEGEND
- - - - - CONTROL JOINTS - 3/4" DEEP x 1/4" WIDE



INSET "C"

NOTES:

1. PACKAGE CONCRETE MAY BE USED PER SPL WW-704.
2. ARCHITECTURAL MAILBOXES PACIFICA POST BLACK MAILBOX POST OR APPROVED EQUIVALENT.
3. GIBALTAR MAILBOXES ELITE STANDARD METAL BLACK POST MOUNT MAILBOX OR APPROVED EQUIVALENT.
4. GROUT PER 410S.3.B.
5. MAILBOX SHALL BE PLACED IN COMPLIANCE WITH THE ADA RAMP'S DETAIL 432S-3-SM AS INDICATED ON SHEET 3 OF 4.

| | | |
|---|--|-----------------------------------|
| The City of San Marcos Engineering and Capital Improvements | | CURRENT AS OF 1/1/2022 |
| RECORD COPY SIGNED BY | | 1/1/2021 |
| LAURIE MOYER, P.E. | | ADOPTED |
| MAILBOX DETAIL | | |
| THE ARCHITECT/ENGINEER ASSUMES RESPONSIBILITY FOR APPROPRIATE USE OF THIS STANDARD. | | STANDARD NO. 432S-10-SM |
| 1 OF 1 | | |