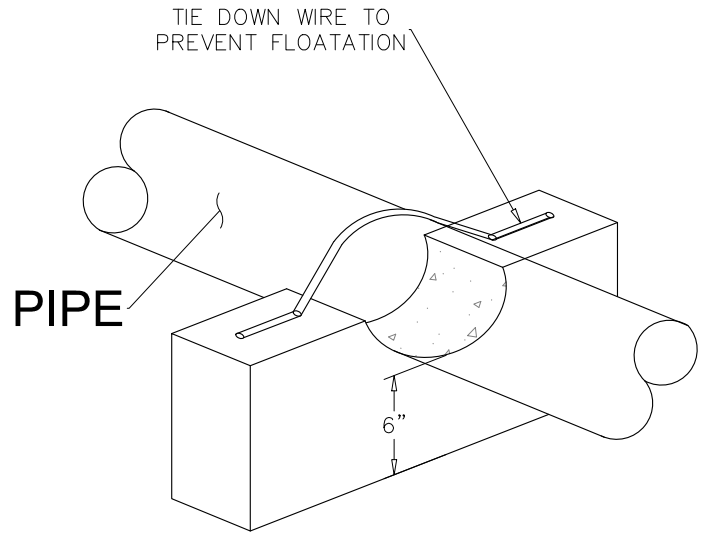
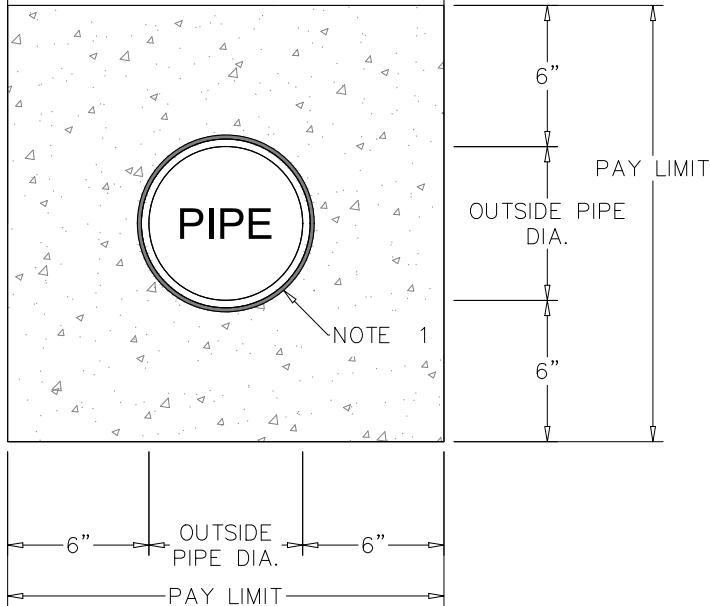


SEE TRENCH REPAIR DETAIL
FOR BACKFILL REQUIREMENTS
ABOVE CONCRETE
ENCASEMENT



**SUPPORT FOR
ENCASEMENT OR CRADLE**

CONCRETE ENCASEMENT

NOTES:

1. ALL PORTIONS OF THE PIPE, JOINTS AND JOINT RESTRAINTS WITHIN CONCRETE ENCASEMENT WILL BE WRAPPED IN 8 MIL POLY.
2. ALL CONCRETE ENCASEMENT SHALL BE POURED AT A PLANE 6" ABOVE THE PIPE BETWEEN EXCAVATED TRENCH WALL
3. CONCRETE ENCASEMENT WILL BE USED ONLY WHERE CALLED OUT IN THE PLANS AND LIMITS OF PAYMENT WILL BE PER THIS DETAIL.
4. BACKFILL AND RESTORATION WORK WILL BE PER APPROPRIATE TRENCH DETAIL WITH EMBEDMENT FOLLOWING THIS DETAIL.
5. SUPPORTS ARE SUBSIDIARY TO CONCRETE ENCASEMENT.

The City of San Marcos
Engineering and Capital Improvements

CURRENT AS OF
1/1/2021

CONCRETE ENCASEMENT

RECORDED COPY SIGNED BY

5-1-2015

THE ARCHITECT/ENGINEER ASSUMES
RESPONSIBILITY FOR APPROPRIATE
USE OF THIS STANDARD

510S-CE-SM

Laurie Moyer, P.E.

ADOPTED

N.T.S. STANDARD DETAIL