

SEE DETAIL 506S-4A-SM FOR  
GRADE RINGS, CONCRETE COLLAR,  
AND RING & COVERS

PRECAST SECTION  
SPL WW-146  
SEE NOTE 4

BACKFILL  
PER TRENCH  
DETAILS

TYPICAL O-RING  
SPL WW-146C

COATING AS  
SPECIFIED AFTER  
VACUUM TESTING  
IS COMPLETED  
SEE NOTE 6

CAULK INSIDE  
OF ALL JOINTS

STD, PIPE TO MH  
CONNECTOR SPL  
WW-146D

USE THE SAME PIPE  
MATERIAL AS LINE  
BEING CONSTRUCTED.

4" MIN THICKNESS  
ALL DIRECTION  
AROUND PIPE  
FLOWABLE FILL  
SPEC 402S

MIN. MANHOLE DIAMETER	
PIPE SIZE	MIN. DIA.
LESS THAN 18"	4'-0"
18" - 24"	5'-0"
30" - 36"	6'-0"
GREATER THAN 36"	7'-0"

NOTE: THESE ARE MINIMUMS.  
DIAMETER SIZE MAY INCREASE  
DEPENDING ON NUMBER AND  
ANGLES OF CONNECTIONS.

1" NON-SHRINK GROUT  
CONTINUOUS ALONG  
MANHOLE BASE JOINT

MANHOLE REHAB  
SPL 511A  
STARTING POINT  
SEE NOTE 6

NON-SHRINK  
GROUT

SEE NOTE 5

24" MIN.  
SEE  
SHEET 3

#5 RING  
ASTM C33 EMBEDMENT  
SIZE NO. 57 OR  
SIZE NO. 67

6" MIN.  
2' MAX.

# 5 at 12" ON  
CENTER VERTICAL  
3,000 P.S.I. CONCRETE

3" CLR.  
TYPICAL

STD, PIPE TO MH  
CONNECTOR SPL  
WW-146D

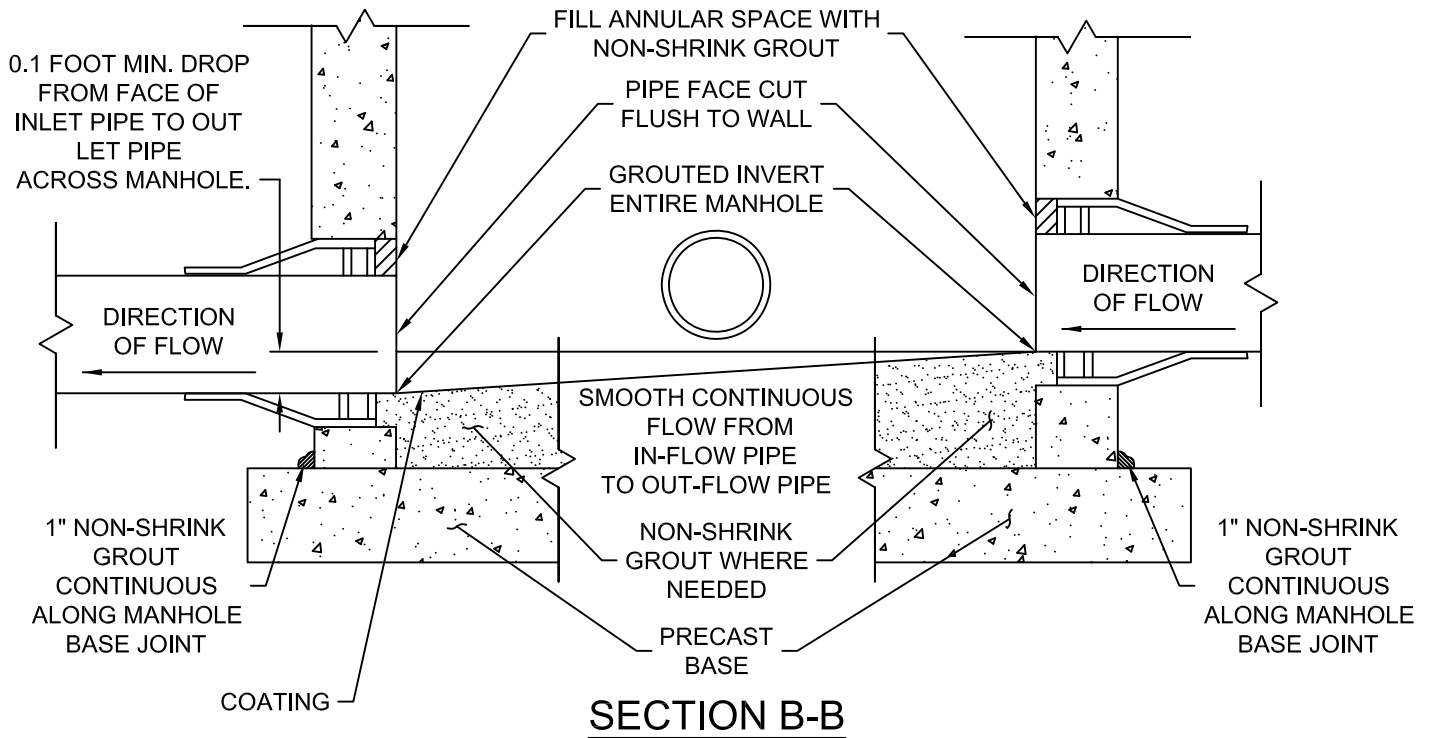
### SECTION A-A

**NOTES:**

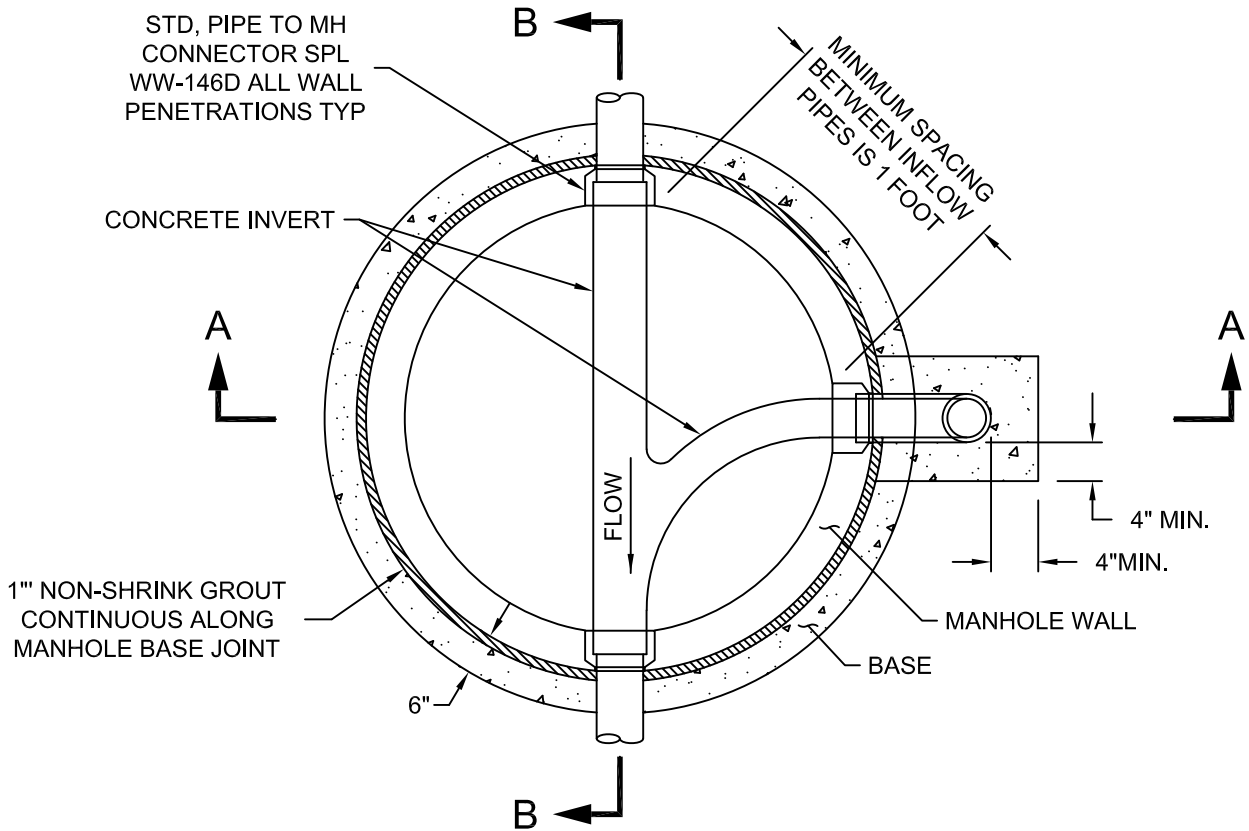
1. SEE PLANS FOR MANHOLE LOCATION, CONFIGURATION, PIPE SIZES AND TYPES.
2. SEE SPECIFICATIONS ON MATERIALS AND CONSTRUCTION.
3. MONOLITHIC MANHOLE TO BE CAST-IN-PLACE SHALL CONFORM TO ASTM SPECIFICATION C478 FOR MATERIALS AND DESIGN. MANUFACTURER TO PROVIDE DETAILS.
4. MANHOLES FOR MAINS 24" AND LARGER SHALL HAVE ECCENTRIC RISER SECTIONS.
5. DEPTH OF U CHANNEL WILL BE 3/4 THE DIAMETER OF PIPES 24" OR LESS AND WILL BE THE DIAMETER OF PIPES GREATER THEN 24"
6. MANHOLE COATING LIMITS - COAT ALL OF THE MANHOLE WALLS  
AT TOP OF MANHOLE: SEE DETAIL 506S-4A-SM FOR END LOCATION AT GRADE RINGS  
AT BOTTOM OF MANHOLE:  
NEW MANHOLES - COAT PER SPL 511; INCLUDING THE BOTTOM AND INVERT  
MANHOLE REHABILITATION - COAT PER SPL 511A; EXCLUDING THE BOTTOM AND INVERT

The City of San Marcos Engineering and Capital Improvements	CURRENT AS OF 1/1/2021	WASTEWATER MANHOLE ON PRECAST BASE WITH EXTERIOR DROP	
	RECORD COPY SIGNED BY LAURIE MOYER, P.E.	1/1/2021 ADOPTED	THE ARCHITECT/ENGINEER ASSUMES RESPONSIBILITY FOR APPROPRIATE USE OF THIS STANDARD.
		STANDARD NO. <b>506S-8-SM</b>	1 OF 3

## INVERT DETAIL

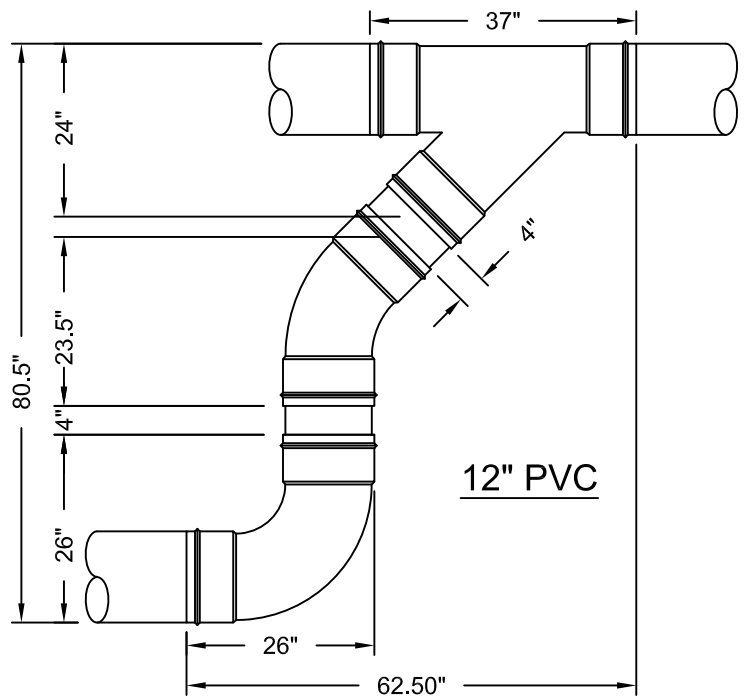
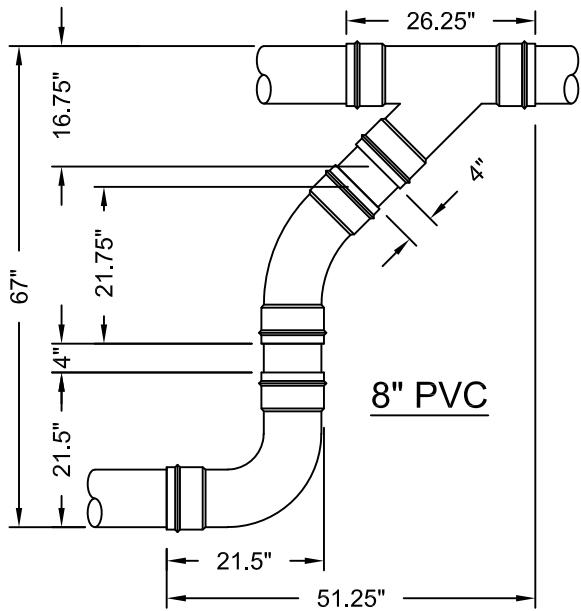


## INVERT PLAN VIEW

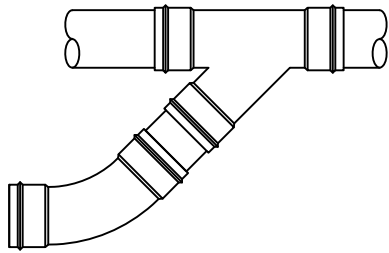


<p><b>The City of San Marcos</b> Engineering and Capital Improvements</p>	<p>CURRENT AS OF 1/1/2021</p>	<p><b>WASTEWATER MANHOLE ON PRECAST BASE WITH EXTERIOR DROP</b></p>	
<p>RECORD COPY SIGNED BY <u>LAURIE MOYER, P.E.</u></p>	<p>1/1/2021 ADOPTED</p>	<p>THE ARCHITECT/ENGINEER ASSUMES RESPONSIBILITY FOR APPROPRIATE USE OF THIS STANDARD.</p>	<p>STANDARD NO. <b>506S-8-SM</b> 2 OF 3</p>

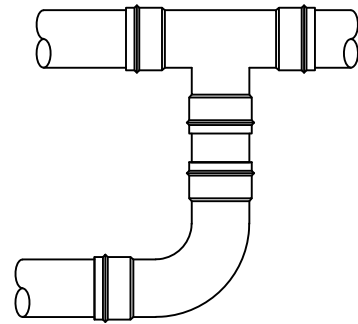
**STANDARD DROP CONNECTIONS  
MINIMUM DIMENSIONS  
(FOR INFORMATION ONLY)**



**ALTERNATIVE OPTIONS**



**WYE CONNECTION**



**TEE CONNECTION**

REFERENCES  
DETAIL 503S-4W-SM  
DETAIL 503S-5W-SM  
DETAIL 506S-4A-SM

<p><b>The City of San Marcos</b> Engineering and Capital Improvements</p>	<p>CURRENT AS OF 1/1/2021</p>	<p align="center"><b>WASTEWATER MANHOLE ON PRECAST BASE WITH EXTERIOR DROP</b></p>	
<p>RECORD COPY SIGNED BY  LAURIE MOYER, P.E.</p>	<p>1/1/2021  ADOPTED</p>	<p>THE ARCHITECT/ENGINEER ASSUMES RESPONSIBILITY FOR APPROPRIATE USE OF THIS STANDARD.</p>	<p align="center">STANDARD NO. <b>506S-8-SM</b> 3 OF 3</p>