

SEE DETAIL 506S-4A-SM FOR GRADE RINGS, CONCRETE COLLAR, AND RING & COVERS

PRECAST SECTION SPL WW-146 SEE NOTE 4

BACKFILL PER TRENCH DETAILS

TYPICAL O-RING SPL WW-146C

COATING AS SPECIFIED AFTER VACUUM TESTING IS COMPLETED SEE NOTE 7

CAULK INSIDE OF ALL JOINTS

DROP BOWL

4' MIN.

MANHOLE REHAB SPL 511A STARTING POINT SEE NOTE 7

NON-SHRINK GROUT

12

1

SEE NOTE 6

1" NON-SHRINK GROUT CONTINUOUS ALONG MANHOLE BASE JOINT

6"

#5 RING

ASTM C33 EMBEDMENT SIZE NO. 57 OR SIZE NO. 67

2'

6" MIN. 2' MAX.

5 at 12" ON CENTER VERTICAL

3,000 P.S.I. CONCRETE

SECTION A-A

CUT V NOTCH ON BOTTOM OF PIPE FROM WALL TO BOWL TO HELP FLOW

STD. PIPE TO MH CONNECTOR SPL WW-146D ALL WALL PENETRATIONS TYP.

USE THE SAME PIPE MATERIAL AS LINE BEING CONSTRUCTED.

STAINLESS STEEL WITH GASKET COUPLING BAND CONNECTOR

24" MIN.

STAINLESS STEEL PIPE STRAPS ANCHORED IN CONCRETE WALL AT 4" MAX. SPACING WITH MIN. OF 2 PER PIPE JOINT

90° LONG BEND TO BE PLACE LEVELED WITH BOTTOM OF INVERTED U CHANNEL

6"

3"

1'-0"

3" CLR. TYPICAL

DEPTH AS SHOWN ON THE PLANS

MIN. MANHOLE DIAMETER	
PIPE SIZE	MIN. DIA.
LESS THAN 18"	5'-0"
18" - 24"	5'-0"
30" - 36"	6'-0"
GREATER THAN 36"	7'-0"

NOTES: THESE ARE MINIMUMS. DIAMETER SIZE MAY INCREASE DEPENDING ON NUMBER OF CONNECTIONS NEEDED. (DROP DOWN PIPE WILL BE A MINIMUM OF 4 FEET FROM MANHOLE WALL OPPOSITE OF IT'S PLACEMENT.)

NOTES:

1. SEE PLANS FOR MANHOLE LOCATION, CONFIGURATION, PIPE SIZES AND TYPES.
2. SEE SPECIFICATIONS ON MATERIALS AND CONSTRUCTION.
3. MONOLITHIC MANHOLE TO BE CAST-IN-PLACE SHALL CONFORM TO ASTM SPECIFICATION C478 FOR MATERIALS AND DESIGN. MANUFACTURER TO PROVIDE DETAILS.
4. MANHOLES FOR MAINS 24" AND LARGER SHALL HAVE ECCENTRIC RISER SECTIONS.
5. IF IN 100 YEAR FLOOD PLAIN USE MANHOLE COVER DETAIL 503S-5W-SM (BOLTED)
6. DEPTH OF U CHANNEL WILL BE 3/4 THE DIAMETER OF PIPES 24" OR LESS AND WILL BE THE DIAMETER OF PIPES GREATER THEN 24"
7. MANHOLE COATING LIMITS - COAT ALL OF THE MANHOLE WALLS
AT TOP OF MANHOLE: SEE DETAIL 506S-4A-SM FOR END LOCATION AT GRADE RINGS
AT BOTTOM OF MANHOLE:

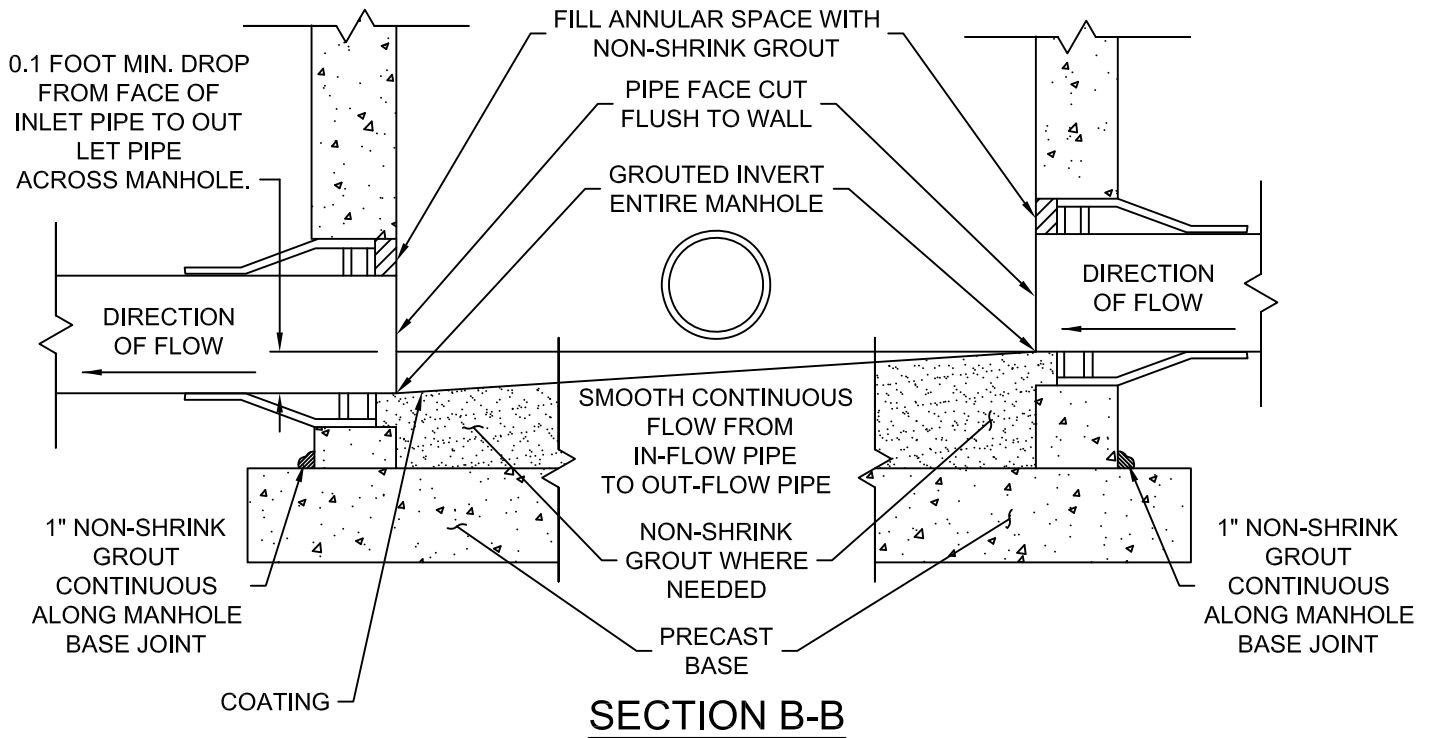
NEW MANHOLES - COAT PER SPL 511; INCLUDING THE BOTTOM AND INVERT

MANHOLE REHABILITATION - COAT PER SPL 511A; EXCLUDING THE BOTTOM AND INVERT

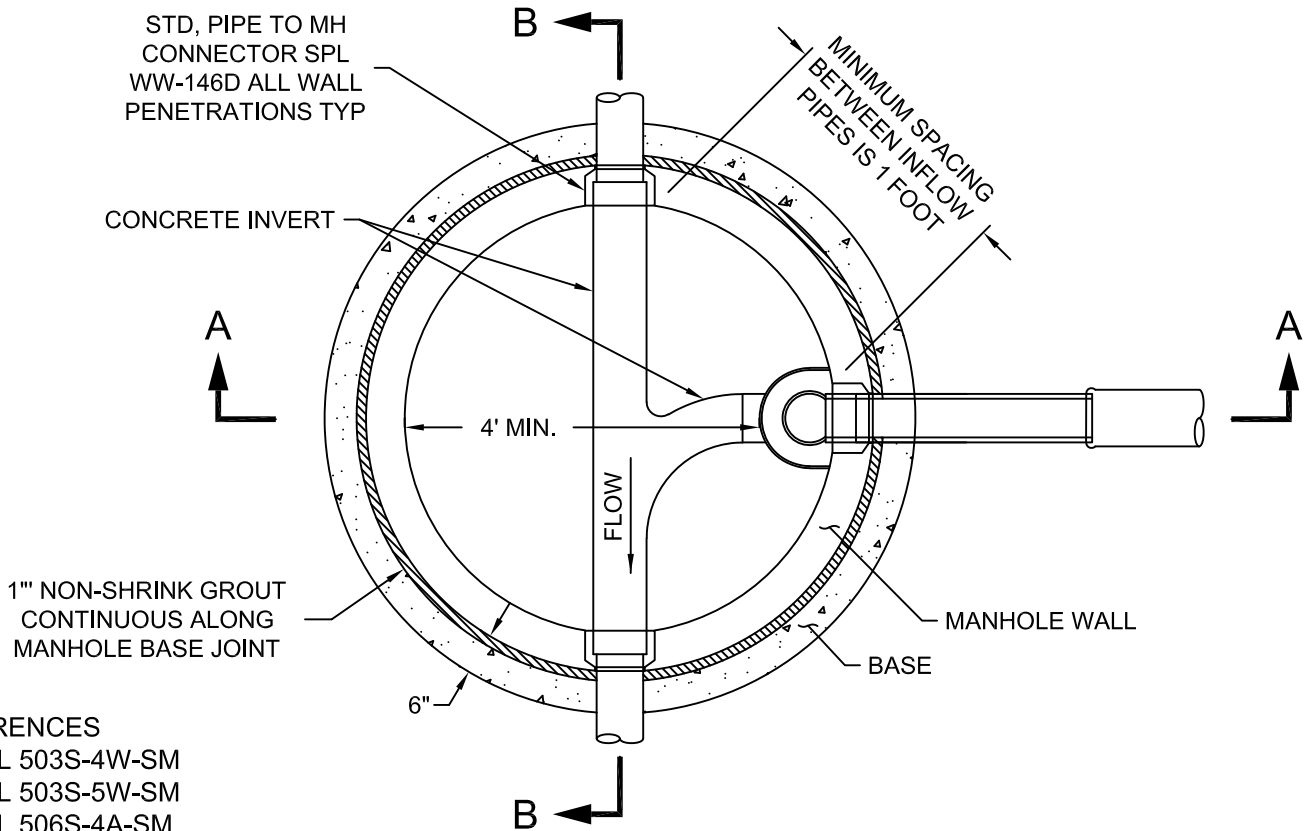
The City of San Marcos Engineering and Capital Improvements	CURRENT AS OF 1/1/2021	WASTEWATER MANHOLE ON PRECAST BASE WITH INTERIOR DROP	
	RECORD COPY SIGNED BY LAURIE MOYER, P.E.	1/1/2021 ADOPTED	STANDARD NO. 506S-8A-SM 1 OF 2

THE ARCHITECT/ENGINEER ASSUMES RESPONSIBILITY FOR APPROPRIATE USE OF THIS STANDARD.

INVERT DETAIL



INVERT PLAN VIEW



<p>The City of San Marcos Engineering and Capital Improvements</p>	<p>CURRENT AS OF 1/1/2021</p>	<p>WASTEWATER MANHOLE ON PRECAST BASE WITH INTERIOR DROP</p>	
<p>RECORD COPY SIGNED BY LAURIE MOYER, P.E.</p>	<p>1/1/2021 ADOPTED</p>	<p>THE ARCHITECT/ENGINEER ASSUMES RESPONSIBILITY FOR APPROPRIATE USE OF THIS STANDARD.</p>	<p>STANDARD NO. 506S-8A-SM 2 OF 2</p>