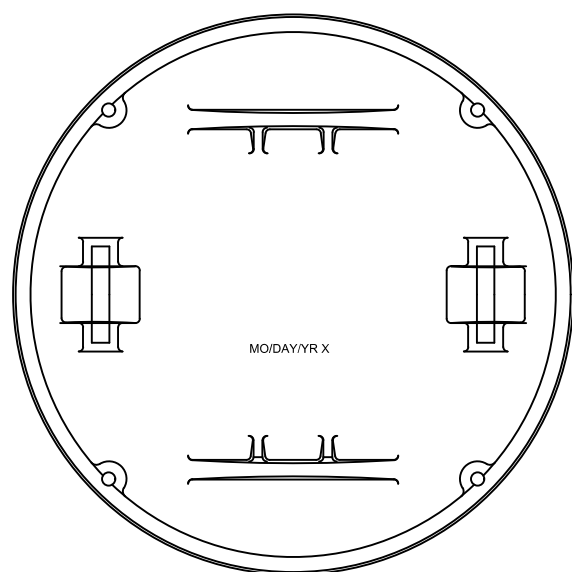
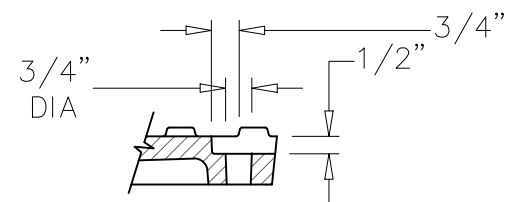


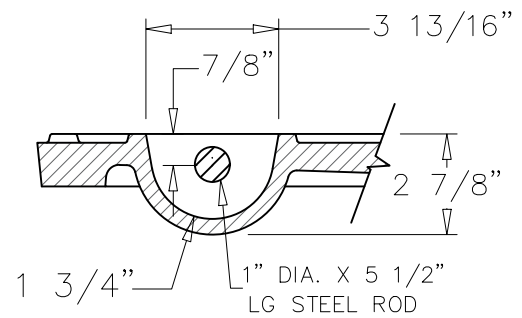
LID AND FRAME PLAN VIEW



LID BOTTOM VIEW



BOLT HOLE SECTION



PICKBAR DETAIL

The City of San Marcos
Engineering and Capital Improvements

CURRENT AS OF
1/1/2021

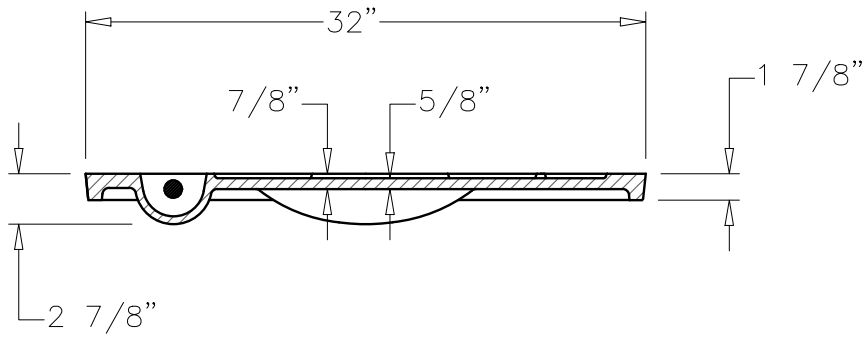
SANITARY SEWER MANHOLE RING AND COVER 32" -BOLTED

RECORDED COPY SIGNED BY
LAURIE MOYER, P.E.

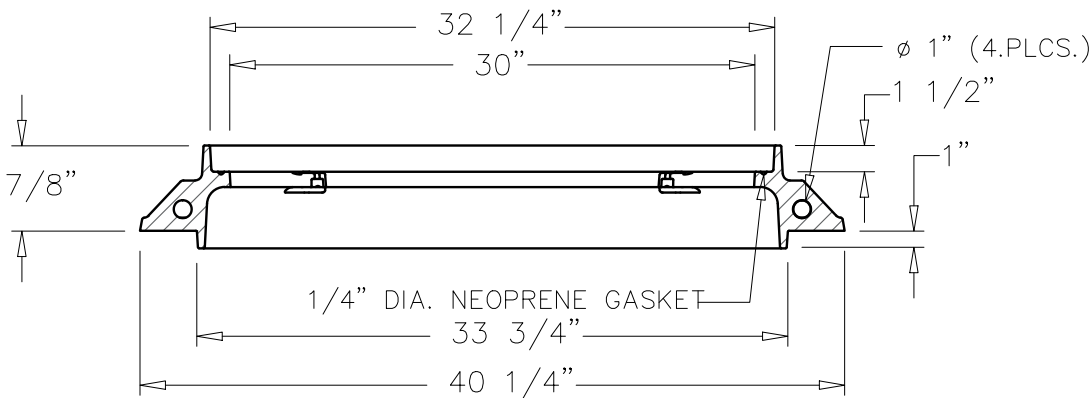
3-16-2015
ADOPTED

THE ARCHITECT/ENGINEER ASSUMES
RESPONSIBILITY FOR APPROPRIATE
USE OF THIS STANDARD

503S-5W-SM
N.T.S. STANDARD DETAIL



LID CROSS SECTION
SECTION A-A



FRAME CROSS SECTION
SECTION A-A

| MATERIALS | |
|-----------|-----------|
| LID | GRAY IRON |
| FRAME | GRAY IRON |

NOTE:

1. THIS DETAIL IS FOR USE IN PUBLIC INFRASTRUCTURE ONLY. PRIVATE INFRASTRUCTURE WILL NOT HAVE CITY OF SAN MARCOS LOGO.
2. COVER SHALL BE EAST JORDAN IRON WORKS OR APPROVED EQUIVALENT.

SHT 2 OF 2

The City of San Marcos
Engineering and Capital Improvements

CURRENT AS OF
1/1/2021

**SANITARY SEWER MANHOLE RING AND
COVER 32" -BOLTED**

RECORDED COPY SIGNED BY

LAURIE MOYER, P.E.

3-16-2015

ADOPTED

THE ARCHITECT/ENGINEER ASSUMES
RESPONSIBILITY FOR APPROPRIATE
USE OF THIS STANDARD

503S-5W-SM

N.T.S. STANDARD DETAIL