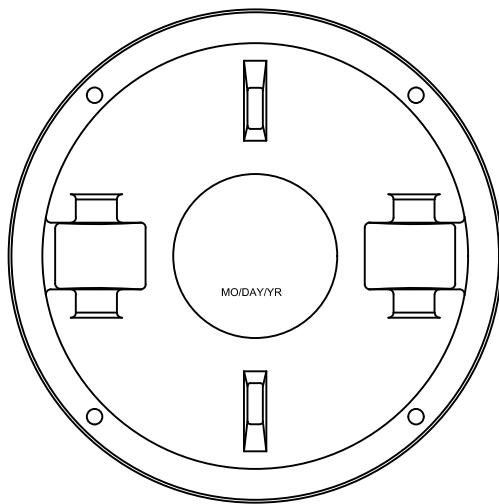
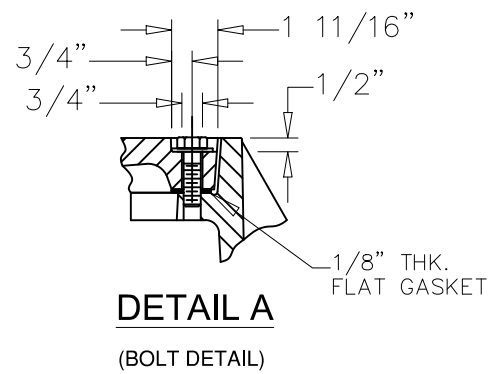
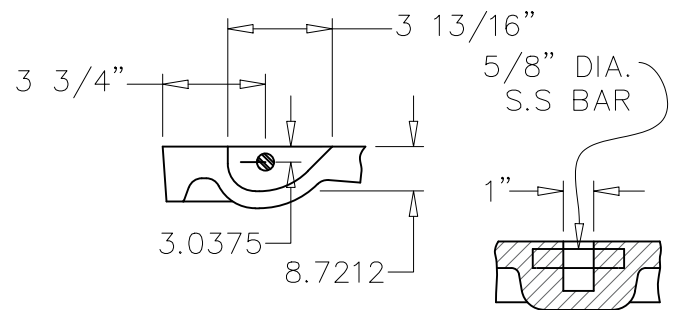


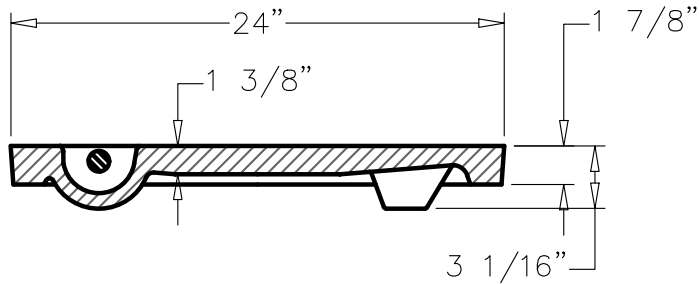
**LID AND FRAME PLAN  
VIEW**



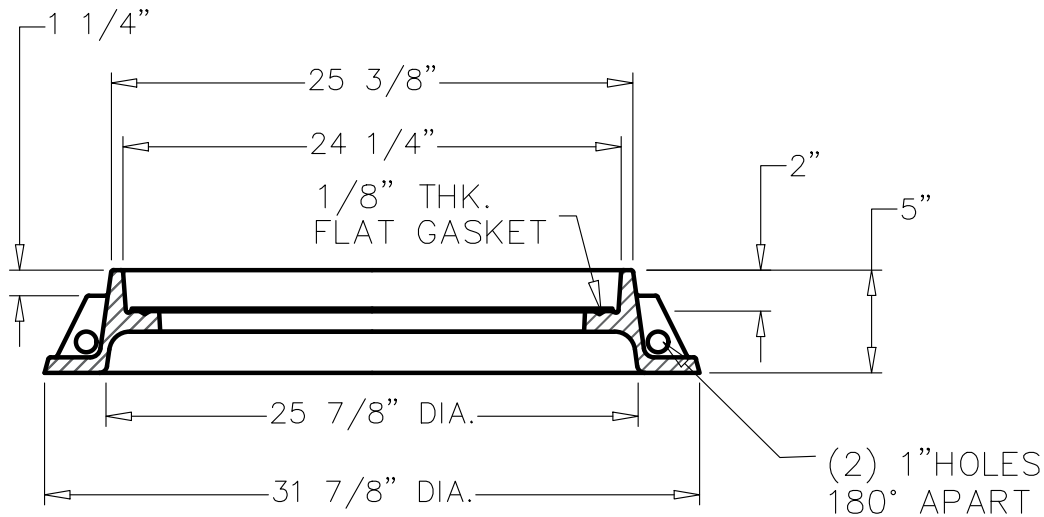
**LID VIEW BOTTOM**



**PICKBAR DETAIL**



**LID SECTION VIEW**  
**SECTION A-A**



**FRAME SECTION VIEW**  
**SECTION A-A**

| MATERIALS |           |
|-----------|-----------|
| LID       | GRAY IRON |
| FRAME     | GRAY IRON |

NOTE:

1. THIS DETAIL IS FOR USE IN PUBLIC INFRASTRUCTURE ONLY. PRIVATE INFRASTRUCTURE WILL NOT HAVE CITY OF SAN MARCOS LOGO.
2. COVER SHALL BE EAST JORDAN IRON WORKS OR APPROVED EQUIVALENT.