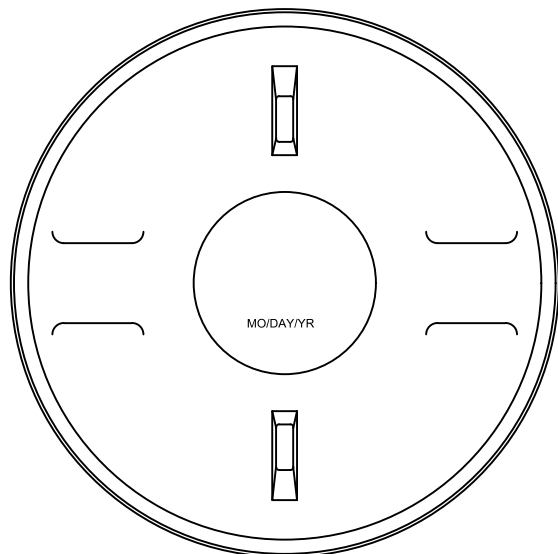
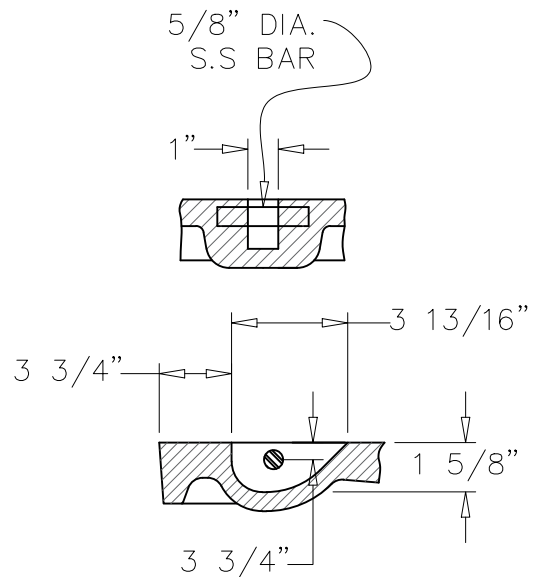


FRAME AND LID PLAN VIEW



LID BOTTOM VIEW



PICKBAR DETAIL

SHT 1 OF 2

The City of San Marcos
Engineering and Capital Improvements

CURRENT AS OF
1/1/2021

**SANITARY SEWER RING AND COVER
(WAD) 24" - UNBOLTED**

RECORD COPY SIGNED BY

Laurie Moyer, P.E.

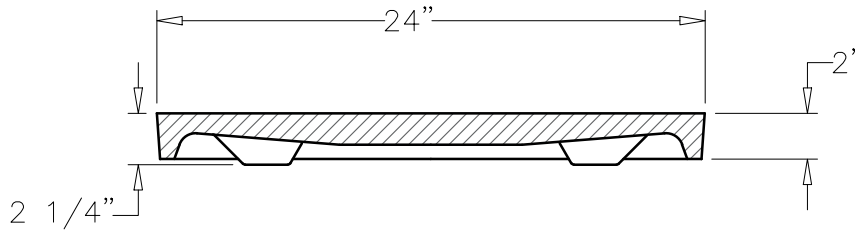
6/5/2014

ADOPTED

THE ARCHITECT/ENGINEER ASSUMES
RESPONSIBILITY FOR APPROPRIATE
USE OF THIS STANDARD

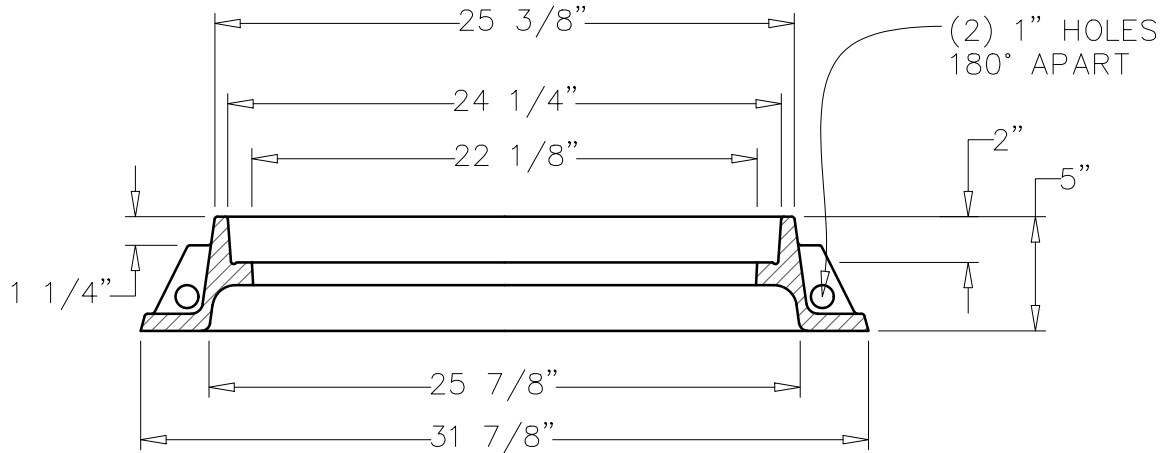
503S-2W-SM

N.T.S. STANDARD DETAIL



LID CROSS SECTION

SECTION A-A



FRAME CROSS SECTION

SECTION A-A

MATERIALS	
LID	GRAY IRON
FRAME	GRAY IRON

NOTE:

1. THIS DETAIL IS FOR USE IN PUBLIC INFRASTRUCTURE ONLY. PRIVATE INFRASTRUCTURE WILL NOT HAVE CITY OF SAN MARCOS LOGO.
2. COVER SHALL BE EAST JORDAN IRON WORKS OR APPROVED EQUIVALENT.

SHT 2 OF 2

The City of San Marcos
Engineering and Capital Improvements

CURRENT AS OF
1/1/2021

SANITARY SEWER RING AND COVER
(WAD) 24" - UNBOLTED

RECORD COPY SIGNED BY

LAURIE MOYER, P.E.

6/5/2014

ADOPTED

THE ARCHITECT/ENGINEER ASSUMES
RESPONSIBILITY FOR APPROPRIATE
USE OF THIS STANDARD

503S-2W-SM

N.T.S. STANDARD DETAIL