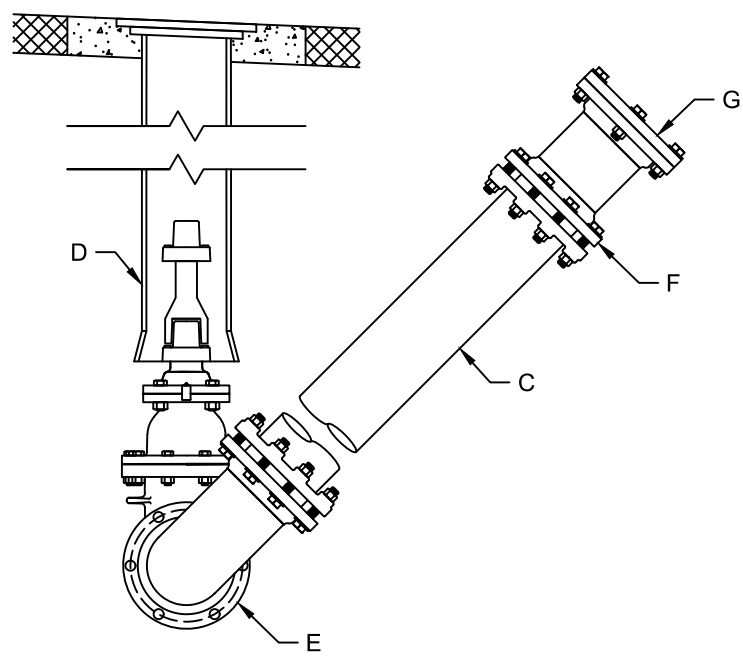
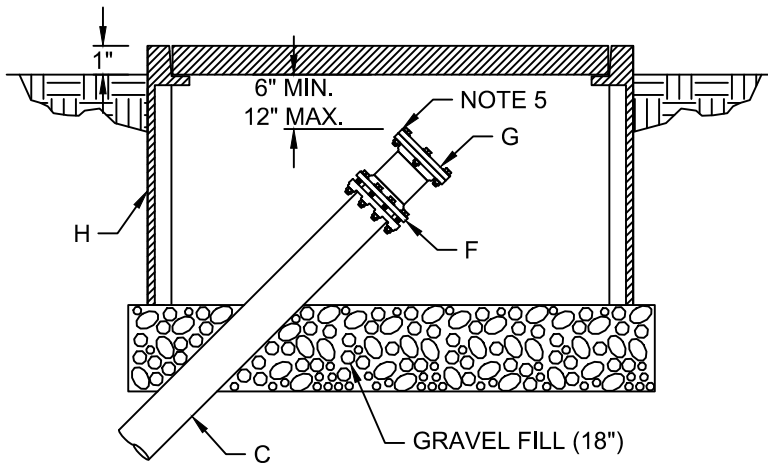


SIDE VIEW

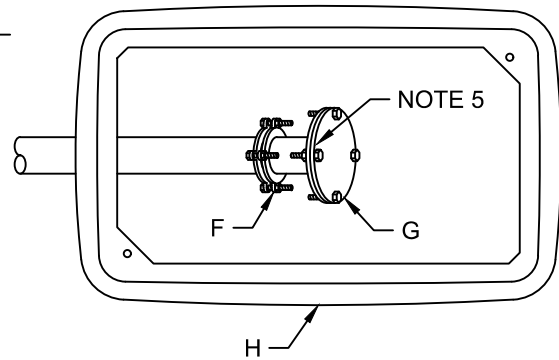


BACK VIEW

<p>The City of San Marcos Engineering and Capital Improvements</p>	<p>CURRENT AS OF 1/1/2021</p>	<p>DRAIN VALVE</p>	
<p>RECORD COPY SIGNED BY LAURIE MOYER, P.E.</p>	<p>12/19/2017 ADOPTED</p>	<p>THE ARCHITECT/ENGINEER ASSUMES RESPONSIBILITY FOR APPROPRIATE USE OF THIS STANDARD.</p>	<p>STANDARD NO. 511-AW-03-SM 1 OF 2</p>



METER BOX PROFILE VIEW



METER BOX PLAN VIEW

MATERIAL LIST		
LABEL	ITEM	SIZE
A	TEE ROTATED 45° PER STANDARD PRODUCT LIST NO. WW-27B	MAIN SIZE x 6"
B	DUCTILE IRON 45° BEND - MEGALUG RESTRAINT, OR APPROVED EQUIVALENT M.J. X M.J. WITH M.J. ADAPTOR PER STANDARD PRODUCT LIST NO. WW-27B	6"
C	SUPPLY PIPE C900 OR DUCTILE IRON FULLY RESTRAINED PER STANDARD PRODUCT LIST NO. WW-308 OR WW-27	6"
D	TAPPING VALVE (RESILIENT WEDGE GATE, IRON BODY NJ X NJ) WITH VALVE BOX. SEE DETAIL 511S-7-SM FOR GATE VALVE INSTALLATION.	6"
E	DUCTILE IRON 90° BEND ROTATED 45° (SLOPE 1:1) - MEGALUG RESTRAINT, OR APPROVED EQUIVALENT M.J. X M.J. PER STANDARD PRODUCT LIST NO. WW-27B	6"
F	MECHANICAL JOINT FLANGE ADAPTOR M.J. X FLANGE PER STANDARD PRODUCT LIST NO. WW-27B	6"
G	BLIND FLANGE	6"
H	METER BOX (2" IRRIGATION METER BOX PER STANDARD PRODUCT LIST NO. WW-145A)	REQUIRED

NOTES:

1. ALL D.I. PIPE AND FITTINGS WILL BE COMPLETELY WRAPPED WITH 8-MIL POLYETHYLENE FILM.
2. ALL BACKFILL AND EMBEDMENT PER TRENCH DETAIL 510S-S&L-SM.
3. THIS DETAIL IS ONLY FOR WATER MAINS THAT ARE 16" OR LARGER AT LOW POINTS ON THE MAIN.
4. TOP OF BOX MUST BE 1" ABOVE NATURAL GROUND OR FLUSH WITH PAVEMENT SURFACE.
5. THE HIGHEST POINT ON THE BLIND FLANGE WILL BE CENTERED IN THE METER BOX.
6. CONNECTION TEE SHALL HAVE A 24" MIN. SEPARATION FROM THE WATER MAIN BELLS AND SPIGOTS.

REFERENCES

DETAIL 510S-S&L-SM
 DETAIL 511S-7-SM

The City of San Marcos Engineering and Capital Improvements	CURRENT AS OF 1/1/2021	DRAIN VALVE	
RECORD COPY SIGNED BY <u>LAURIE MOYER, P.E.</u>	12/19/2017 ADOPTED	THE ARCHITECT/ENGINEER ASSUMES RESPONSIBILITY FOR APPROPRIATE USE OF THIS STANDARD.	STANDARD NO. 511-AW-03-SM 2 OF 2