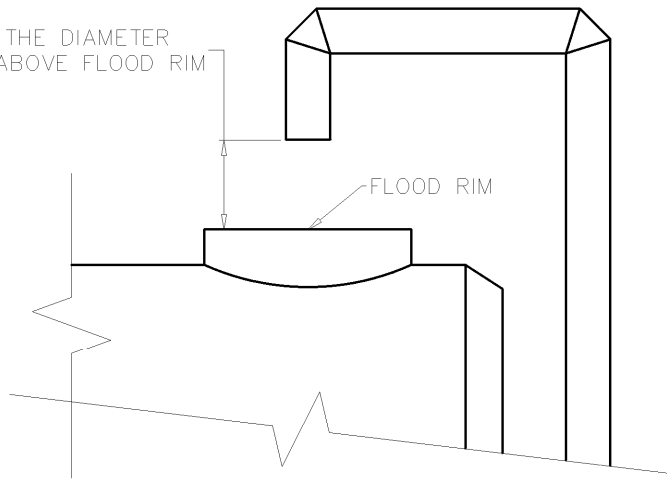
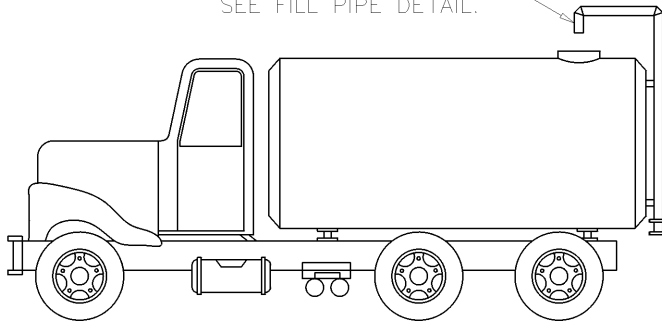


TWO TIMES THE DIAMETER
OF FILL PIPE ABOVE FLOOD RIM



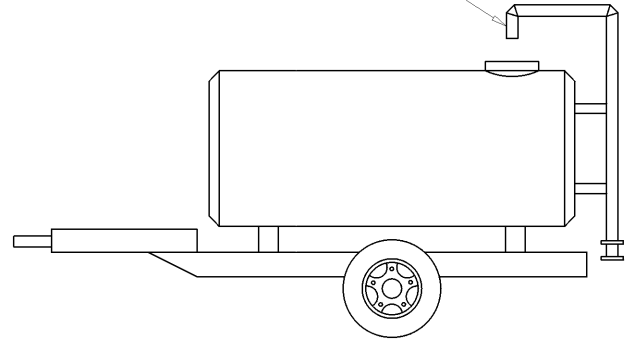
FILL PIPE DETAIL

FILL PIPE PERMANENTLY
MOUNTED ON TANK.
SEE FILL PIPE DETAIL.



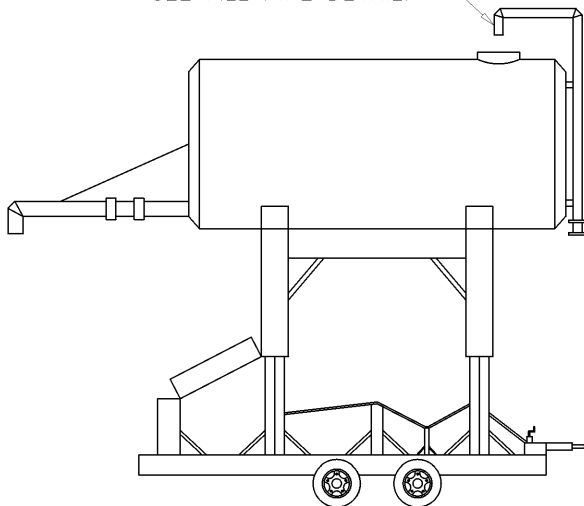
WATER TRUCK

FILL PIPE PERMANENTLY
MOUNTED ON TANK.
SEE FILL PIPE DETAIL.



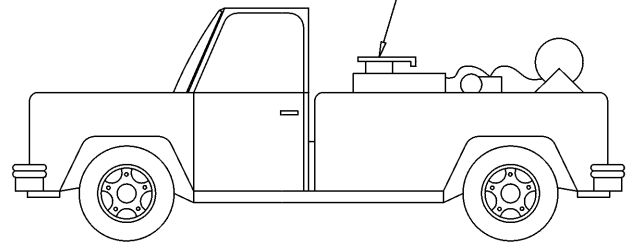
WATER WAGON

FILL PIPE PERMANENTLY
MOUNTED ON TANK.
SEE FILL PIPE DETAIL.



ELEVATED TANK

FILL PIPE PERMANENTLY
MOUNTED ON TANK.
SEE FILL PIPE DETAIL.



PESTICIDE APPLICATOR TRUCK

The City of San Marcos
Engineering and Capital Improvements

CURRENT AS OF
1/1/2021

FILL PIPE FOR PORTABLE TANK WITH AIR GAP SEPARATION

RECORDED COPY SIGNED BY

LAURIE MOYER, P.E.

5-1-2015
ADOPTED

THE ARCHITECT/ENGINEER ASSUMES
RESPONSIBILITY FOR APPROPRIATE
USE OF THIS STANDARD

726S-1-SM

N.T.S. STANDARD DETAIL