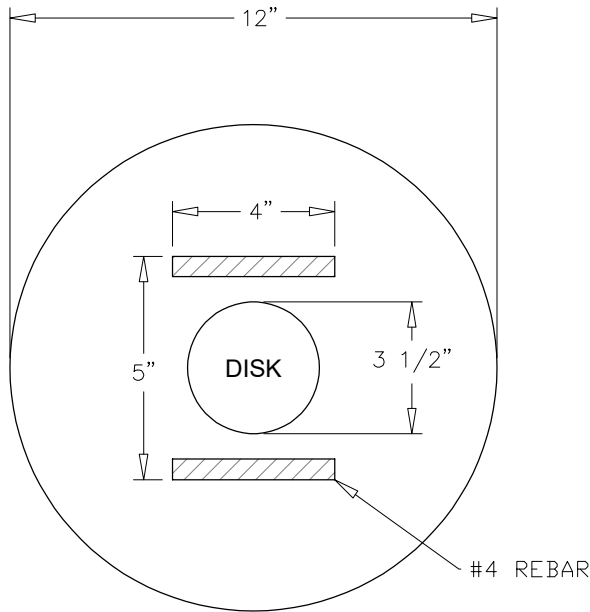
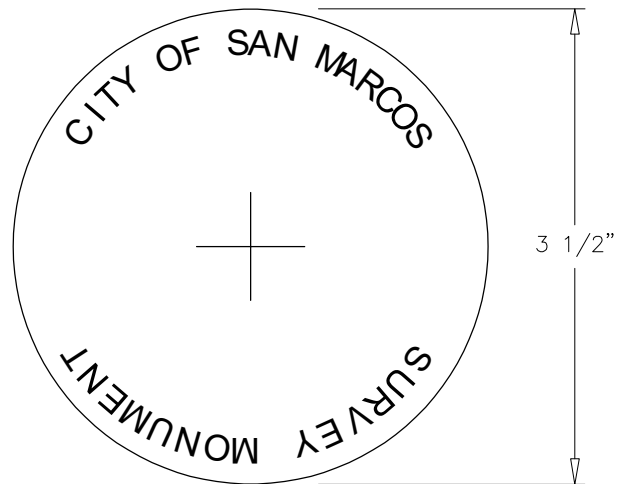


SIDE VIEW



TOP VIEW



DISK DETAIL

The City of San Marcos
Engineering and Capital Improvements

CURRENT AS OF
1/1/2023

GPS SURVEY MONUMENT

RECORDED COPY SIGNED BY
LAURIE MOYER, P.E.

2-15-2015
ADOPTED

THE ARCHITECT/ENGINEER ASSUMES
RESPONSIBILITY FOR APPROPRIATE
USE OF THIS STANDARD

725S-GPS-SM
N.T.S. STANDARD DETAIL