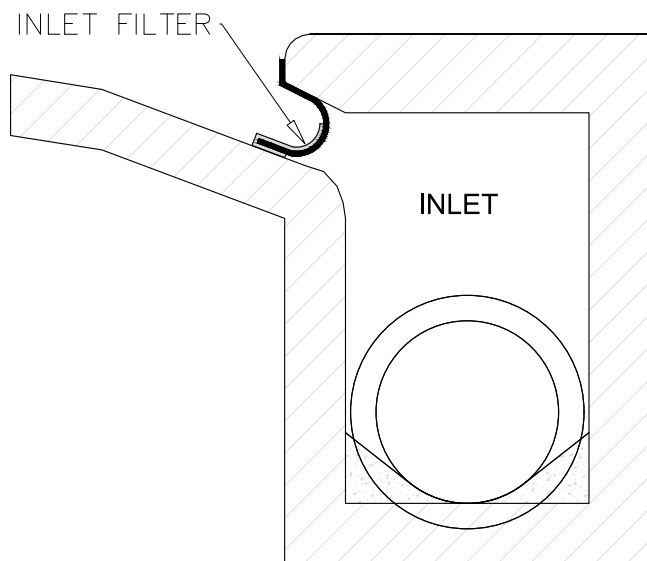
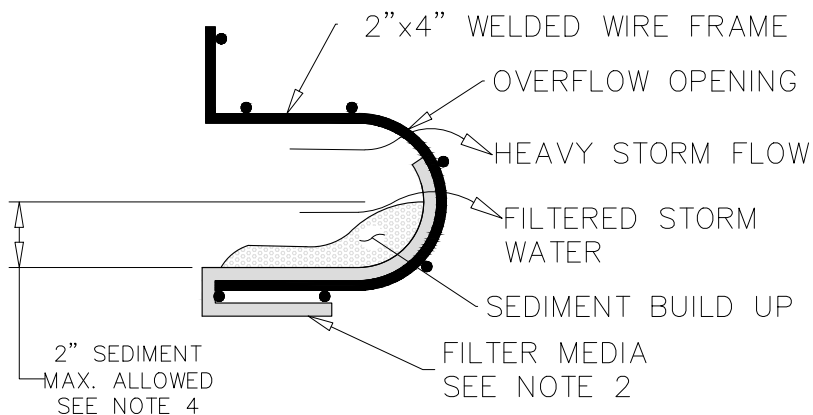


CURB INLET FILTER



CURB INLET FILTER CROSS-SECTION SHOWING INLET PLACEMENT



CURB INLET FILTER CROSS-SECTION

NOTE:

1. THE INLET FILTER SHALL BE INSERTED INTO THE CURB INLET TO CREATE A COMPRESSION FIT IN THE INLET
2. THE FILTER MEDIA FOR PROJECTS WITHIN CITY OF SAN MARCOS JURISDICTION IS TO BE WOVEN FILTER FABRIC WITH A MINIMUM WATER FLOW RATE OF 300 GALLONS A MINUTE PER SQUARE FOOT(300 GAL/MIN/SF).
3. THE FILTER MEDIA IS TO BE ATTACHED TO THE WIRE FRAME WITH HOG RINGS LEAVING AN OVERFLOW OPENING ABOVE THE FILTER MEDIA.
4. INSPECTION SHALL BE MADE BY THE CONTRACTOR WEEKLY AND WITHIN 24 HOURS OF A RAIN EVENT AND SILT ACCUMULATION MUST BE REMOVED WHEN THE DEPTH REACHES 2 INCHES.
5. INLET FILTER WILL BE REMOVED UPON STABILIZATION OF SEDIMENT SOURCES

The City of San Marcos
Engineering and Capital Improvements

CURRENT AS OF
1/1/2021

CURB INLET PROTECTION

RECORDED COPY SIGNED BY

2-15-2015

THE ARCHITECT/ENGINEER ASSUMES RESPONSIBILITY FOR APPROPRIATE USE OF THIS STANDARD

628S-1-SM

LAURIE MOYER, P.E.

ADOPTED

N.T.S. STANDARD DETAIL