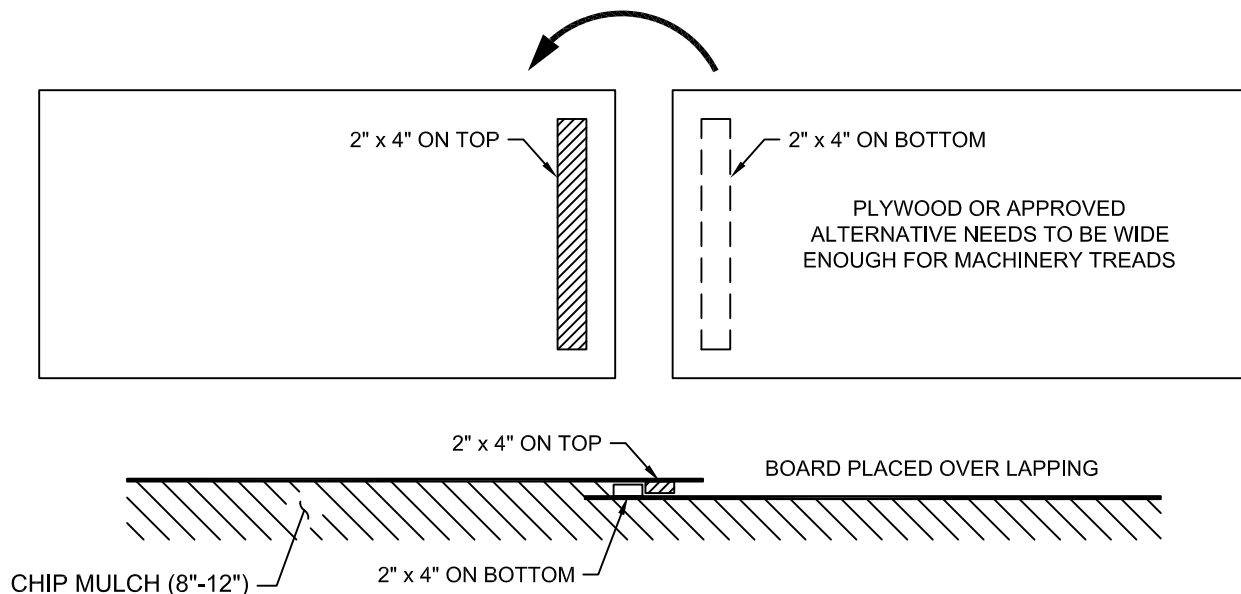


The City of San Marcos Engineering and Capital Improvements		TREE PROTECTION FENCE MODIFIED TYPE A - CHAIN LINK	
RECORD COPY SIGNED BY LAURIE MOYER, P.E.	3/17/2017 ADOPTED	THE ARCHITECT/ENGINEER ASSUMES RESPONSIBILITY FOR APPROPRIATE USE OF THIS STANDARD.	STANDARD NO. 610S-4-SM 1 OF 2

NOTES:

1. FENCE WILL BE PLACED PARALLEL TO THE MINIMUM REQUIRED WORK SPACE TO PERFORM IMPROVEMENTS. WOOD CHIP MULCH WILL BE PLACED IN THE WORK SPACE BETWEEN THE IMPROVEMENTS AND THE FENCE. IF FENCE IS LESS THAN 5' FROM TREE TRUNK, ADD 8' TALL BOARDS STRAPPED ALL THE WAY AROUND THE TRUNK.
2. LIMITS OF ROOT PROTECTION ZONE AND CRITICAL ROOT ZONE: TREE TRUNK DIAMETER MEASURED 54" ABOVE NATURAL GRADE; FOR EACH 1" IN DIAMETER 1' RADIUS FROM THE TREE TRUNK.
3. MAINTAIN EXISTING GRADE WITH THE TREE PROTECTION FENCE UNLESS OTHERWISE INDICATED ON THE PLANS.
4. SEE SPECIFICATIONS FOR ADDITIONAL TREE PROTECTION REQUIREMENTS.
5. IF THERE IS NO EXISTING IRRIGATION, SEE SPECIFICATIONS FOR WATERING REQUIREMENTS.
6. NO PRUNING SHALL BE PERFORMED EXCEPT BY APPROVED ARBORIST.
7. NO EQUIPMENT SHALL OPERATE INSIDE THE PROTECTIVE FENCING INCLUDING DURING FENCE INSTALLATION AND REMOVAL.
8. SEE PLANS FOR ANY MODIFICATION WITHIN THE TREE PROTECTION AREA.
9. 8.5" X 11" SIGN LAMINATED AND PLACED EVERY 50' ALONG THE FENCE THAT READS "KEEP OUT TREE PROTECTION AREA".
10. MINIMUM BOARD THICKNESS OF PLYWOOD SHEETING FOR HIGH USE AREAS WITHIN THE CRZ IS 3/4" WITH 2" x 4" ATTACHED TO SECURE ANY OVERLAPPING SHEETING.



BOARD PADS DETAIL

<p>The City of San Marcos Engineering and Capital Improvements</p>		<p>TREE PROTECTION FENCE MODIFIED TYPE A - CHAIN LINK</p>	
<p>RECORD COPY SIGNED BY</p> <hr/> <p>Laurie Moyer, P.E.</p>	<p>3/17/2017</p> <hr/> <p>ADOPTED</p>	<p>THE ARCHITECT/ENGINEER ASSUMES RESPONSIBILITY FOR APPROPRIATE USE OF THIS STANDARD.</p>	<p>STANDARD NO.</p> <p>610S-4-SM</p> <p>2 OF 2</p>