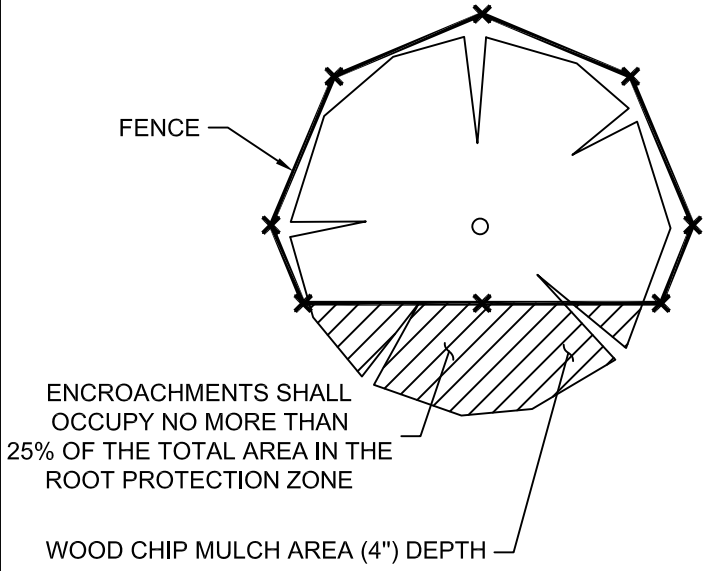
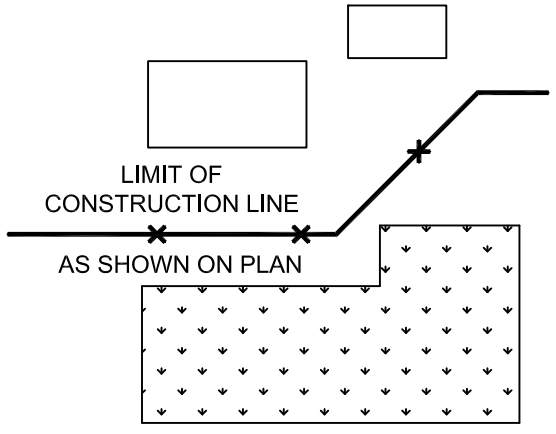


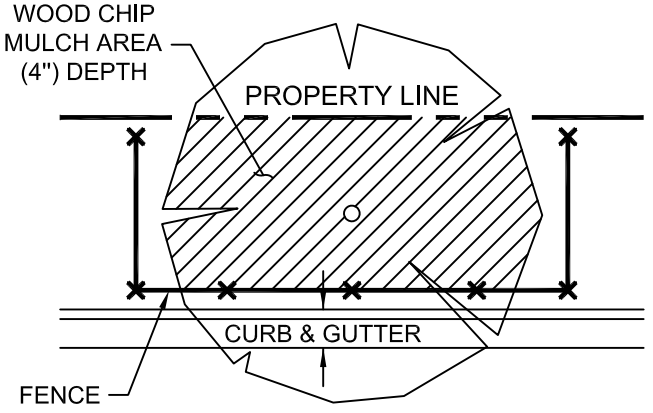
LINEAR CONSTRUCTION THROUGH TREES



TREES BEING DISTURBED

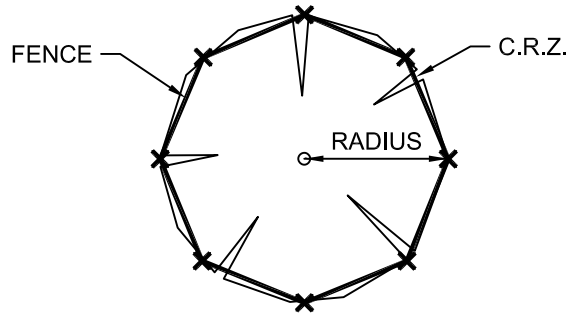


NATURAL AREAS

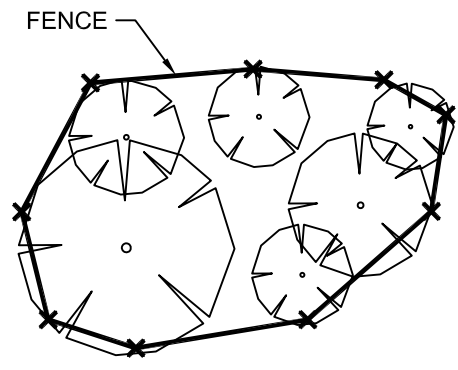


TREES IN PAVING AREA

CRITICAL ROOT ZONE (C.R.Z.)
RADIUS = (1 FT. PER INCH)
OF TRUNK DIAMETER



INDIVIDUAL TREE



GROUP OF TREES

The City of San Marcos
Engineering and Capital Improvements

CURRENT AS OF
1/1/2020

TREE PROTECTION FENCE LOCATION

RECORD COPY SIGNED BY
LAURIE MOYER, P.E.

3/17/2017
ADOPTED

THE ARCHITECT/ENGINEER ASSUMES
RESPONSIBILITY FOR APPROPRIATE USE
OF THIS STANDARD.

STANDARD NO.
610S-1-SM
1 OF 1