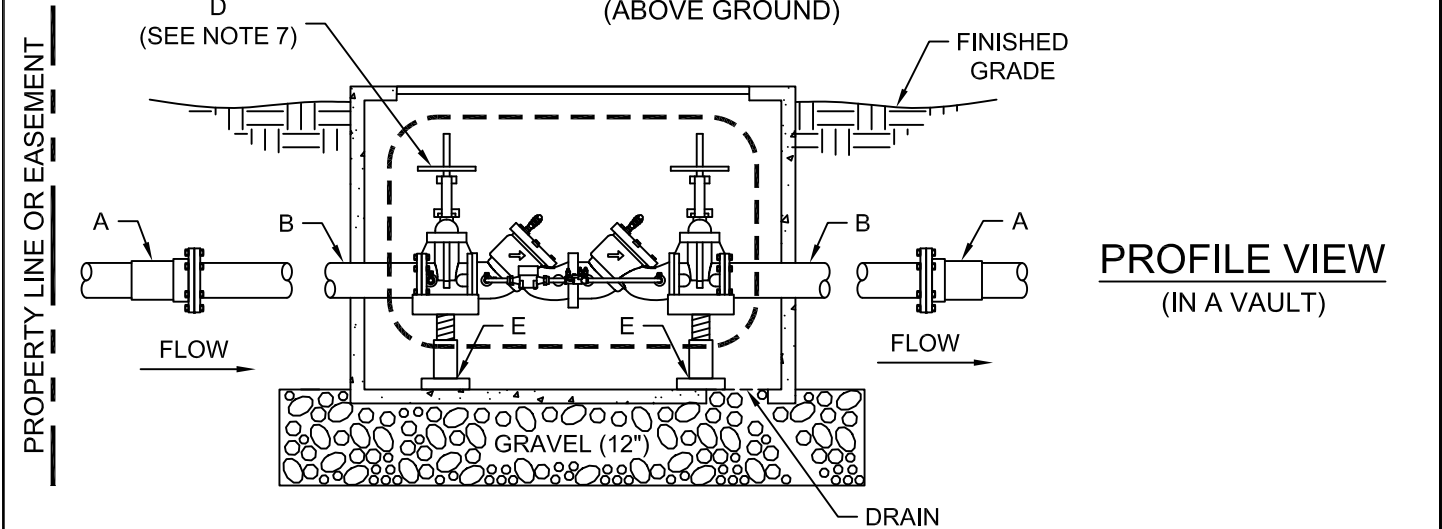
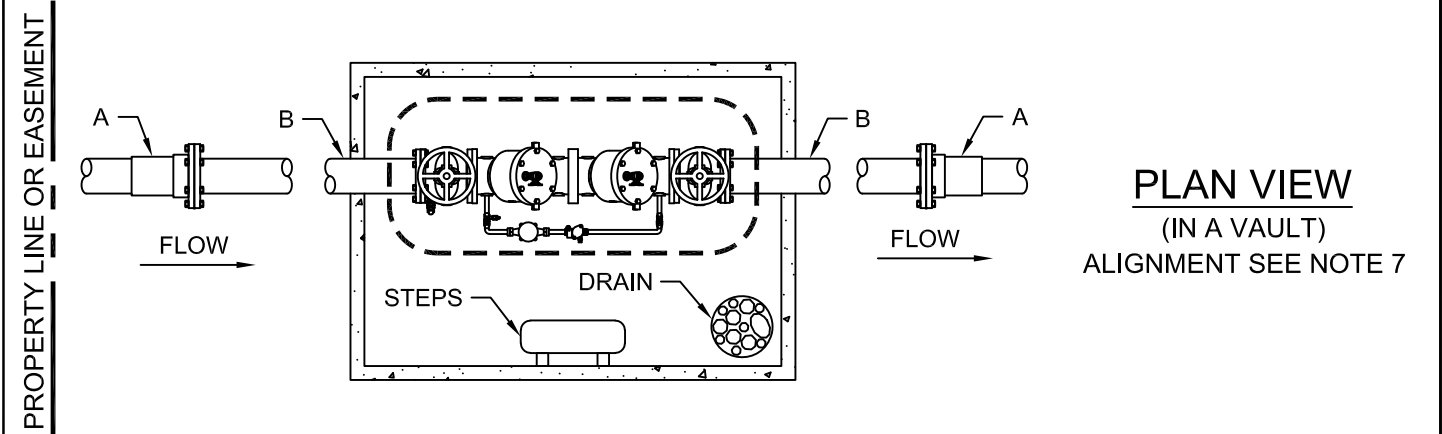


PROFILE VIEW
(ABOVE GROUND)



PROFILE VIEW
(IN A VAULT)



PLAN VIEW
(IN A VAULT)
ALIGNMENT SEE NOTE 7

<p>The City of San Marcos Engineering and Capital Improvements</p>	<p>CURRENT AS OF 1/1/2020</p>	<p>DOUBLE CHECK DETECTOR ASSEMBLY 3" - 10"</p>	
<p>RECORD COPY SIGNED BY LAURIE MOYER, P.E.</p>	<p>6/2/2017 ADOPTED</p>	<p>THE ARCHITECT/ENGINEER ASSUMES RESPONSIBILITY FOR APPROPRIATE USE OF THIS STANDARD.</p>	<p>STANDARD NO. 520S-19E-SM 1 OF 2</p>

RECOMMENDED MATERIALS LIST

LABEL	ITEM	SIZE				
		3"	4"	6"	8"	10"
	BACKFLOW PREVENTER SIZE	3"	4"	6"	8"	10"
A	FLANGED ADAPTER (WHEN REQUIRED)	3"	4"	6"	8"	10"
B	PIPE SPOOL FLANGED D.I.P.	3"	4"	6"	8"	10"
C	90° ELBOW FLANGED D.I.P.	3"	4"	6"	8"	10"
D	RESILIENT SEATED GATE VALVE. NONE RISING STEM VALVE.	3"	4"	6"	8"	10"
OPTIONAL ITEMS						
E	ADJUSTABLE METAL PIPE SUPPORT WITH 1" ADJUSTING ROD	OPTIONAL				
F	8"X8"X8" CONCRETE BLOCKS WITH MORTAR (TOTAL NUMBER OF BLOCKS VARIES ON HEIGHT)	OPTIONAL				
G	16"X16"X"A" CONCRETE THRUST BLOCK/FOUNDATION (DIMENSION "A" VARIES ON SIZE OF ASSEMBLY)	OPTIONAL				

NOTES:

1. FIRE LINES REQUIRE A DETECTOR ASSEMBLY ON THE BACKFLOW DEVICE.
2. OPTIONAL ITEMS MAY BE REQUIRED TO SUPPORT WEIGHT OF BACKFLOW PREVENTER.
3. BACKFLOW PREVENTER MUST BE PROTECTED FROM WEATHER.
4. BACKFLOW PREVENTER SHOULD BE AS CLOSE AS POSSIBLE TO SERVICE CONNECTION ON PROPERTY OWNER SIDE OF EASEMENT OR PROPERTY LINE.
5. DUCTILE IRON PIPING IS RECOMMENDED FROM METER VAULT TO BACKFLOW PREVENTER.
6. A UNMETERED FIRE LINE WILL USE DETAIL 520S-WMT-SM WITH TAP SIZE EQUAL TO BACKFLOW PREVENTER SIZE TO CONNECT TO CITY WATER LINE.
7. VALVE MUST HAVE CLEARANCE FROM TOP OF VAULT TO BE OPENED AND CLOSED MANUALLY
8. THE BACKFLOW PREVENTER ASSEMBLY WILL BE ALIGNED WITH EQUAL SPACING FROM OPPOSITE WALLS OR FROM EDGE OF STEP TO OPPOSING WALL.

The City of San Marcos Engineering and Capital Improvements	CURRENT AS OF 1/1/2020	DOUBLE CHECK DETECTOR ASSEMBLY 3" - 10"	
RECORD COPY SIGNED BY <hr/> LAURIE MOYER, P.E.	6/2/2017 <hr/> ADOPTED	THE ARCHITECT/ENGINEER ASSUMES RESPONSIBILITY FOR APPROPRIATE USE OF THIS STANDARD.	STANDARD NO. 520S-19E-SM 2 OF 2