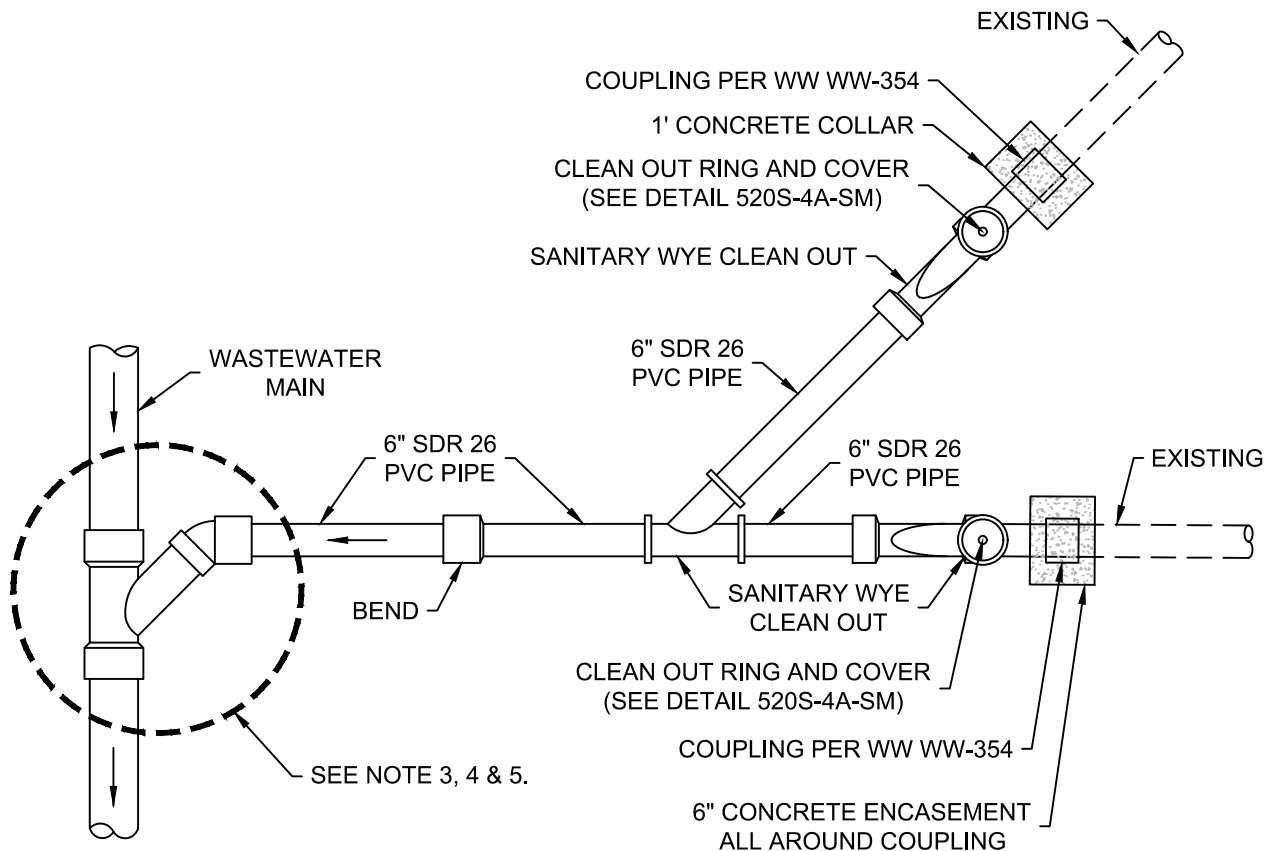
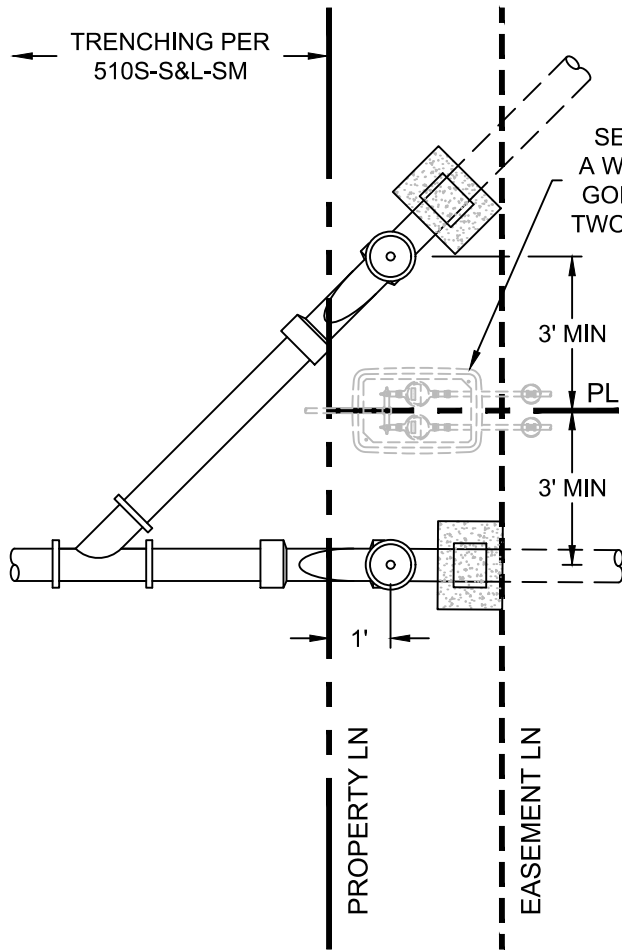


### STANDARD CONNECTION

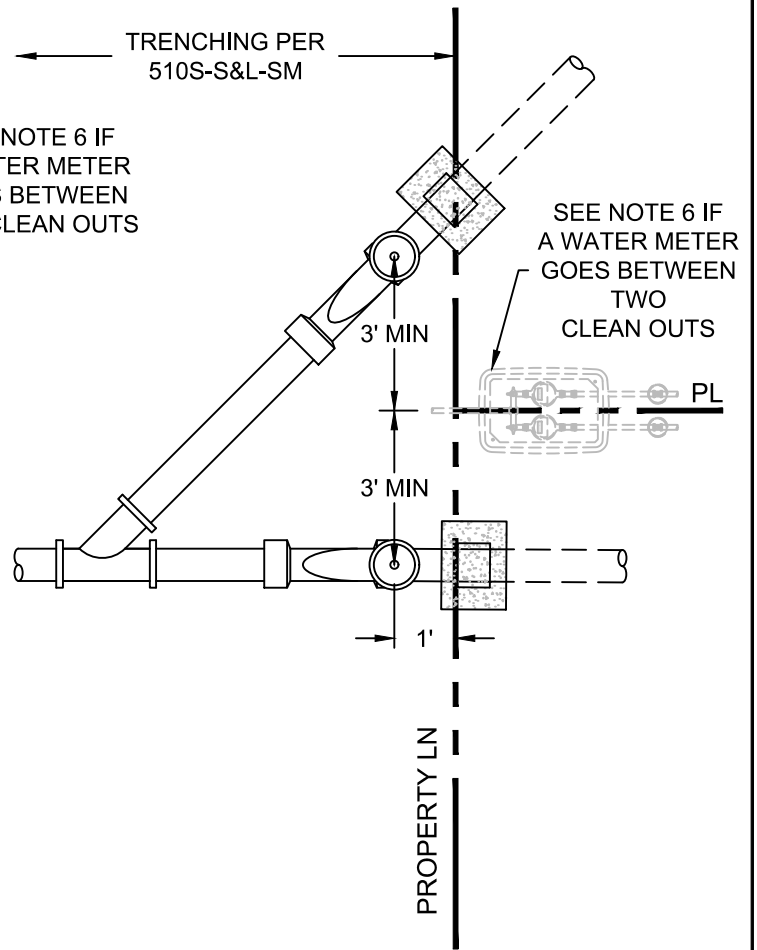


### PLAN VIEW

<p>The City of San Marcos Engineering and Capital Improvements</p>	<p>CURRENT AS OF 1/1/2021</p>	<p>DUAL WASTEWATER LATERAL CONNECTION</p>	
<p>RECORD COPY SIGNED BY LAURIE MOYER, P.E.</p>	<p>1/1/2020 ADOPTED</p>	<p>THE ARCHITECT/ENGINEER ASSUMES RESPONSIBILITY FOR APPROPRIATE USE OF THIS STANDARD.</p>	<p>STANDARD NO. <b>520S-3-SM</b> 1 OF 2</p>



**DUAL LATERAL CONNECTION**  
INSIDE EASEMENT



**DUAL LATERAL CONNECTION**  
INSIDE ROW / PROPERTY LINE  
WITH NO EASEMENT

**NOTES:**

1. THE PIPE WILL BE SLOPED NO MORE THAN 45° FROM HORIZONTAL AND HAVE A MINIMUM SLOPE OF 2% TO MAIN FROM BACK OF CURB.
2. CONNECTION JOINTS BEFORE AND AFTER BEND WILL NOT HAVE MORE THAN 5° DEFLECTION TO ACHIEVE THE REQUIRED SLOPE/ANGLE.
3. FOR MAINS THAT HAVE MORE THAN 8 FEET OF COVER MAINTAIN MINIMUM SLOPE TO WASTEWATER MAIN AND USE DETAIL 520-6-SM TO CONNECT TO WASTEWATER MAIN.
4. IF CONNECTING TO MANHOLE SERVICE LINE SLOPE CAN NOT EXCEED 12% AND IF REQUIRED A DROP MANHOLE CONNECTION WILL BE USED.
5. FOR EXISTING MAIN CONNECTIONS SEE DETAIL (520S-AW-01B-SM)
6. THIS DETAIL CANNOT BE USED ON A LOT THAT HAS EXISTING OR PROPOSED WATER SERVICES AND SANITARY SEWER LATERALS ON THE SAME CORNER. **DETAIL 520A-W01A-SM AND 520S-3-SM MUST BE USED IN PLACE OF THIS DETAIL.**

**REFERENCES**

- DETAIL 510S-S&L-SM
- DETAIL 520S-AW-01B-SM
- DETAIL 520-4A-SM
- DETAIL 520-6-SM

The City of San Marcos Engineering and Capital Improvements		CURRENT AS OF 1/1/2021	DUAL WASTEWATER LATERAL CONNECTION	
RECORD COPY SIGNED BY  LAURIE MOYER, P.E.		1/1/2020  ADOPTED	THE ARCHITECT/ENGINEER ASSUMES RESPONSIBILITY FOR APPROPRIATE USE OF THIS STANDARD.	STANDARD NO. <b>520S-3-SM</b> 2 OF 2