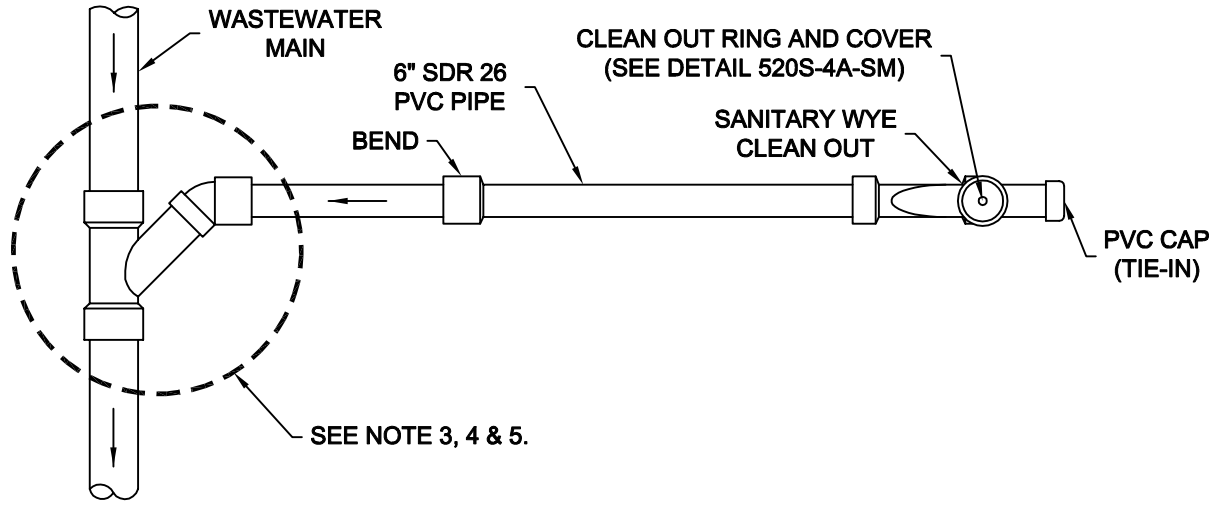
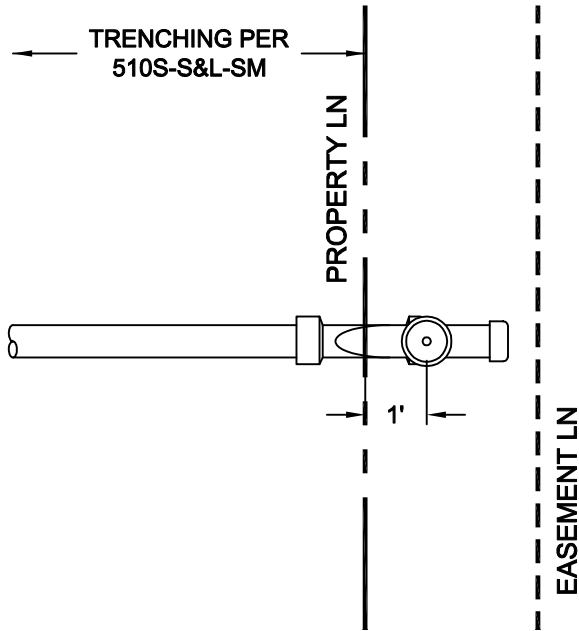


STANDARD CONNECTION

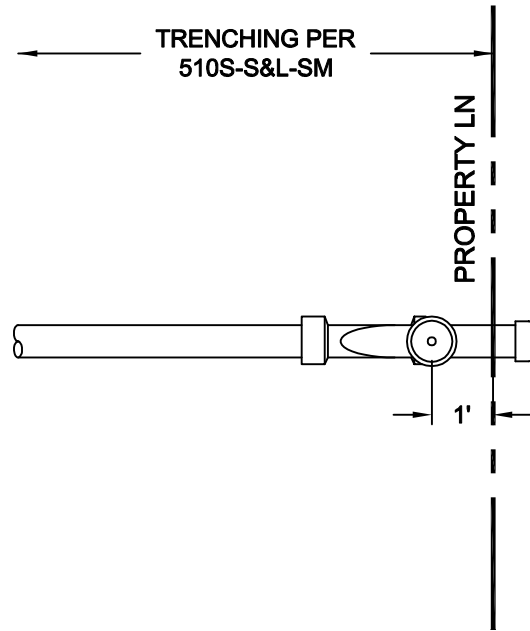


PLAN VIEW

The City of San Marcos Engineering and Capital Improvements		SINGLE LATERAL CONNECTION	
RECORD COPY SIGNED BY LAURIE MOYER, P.E.	6/1/2018 ADOPTED	THE ARCHITECT/ENGINEER ASSUMES RESPONSIBILITY FOR APPROPRIATE USE OF THIS STANDARD.	STANDARD NO. 520S-1-SM 1 OF 2



SINGLE LATERAL CONNECTION
INSIDE EASEMENT



SINGLE LATERAL CONNECTION
INSIDE ROW / PROPERTY LINE
WITH NO EASEMENT

NOTE:

1. THE PIPE WILL BE SLOPED NO MORE THAN 45° FROM HORIZONTAL AND HAVE A MINIMUM SLOPE OF 2% TO MAIN FROM BACK OF CURB.
2. CONNECTION JOINTS BEFORE AND AFTER BEND WILL NOT HAVE MORE THAN 5° DEFLECTION TO ACHIEVE THE REQUIRED SLOPE/ANGLE.
3. FOR MAINS THAT HAVE MORE THAN 8 FEET OF COVER MAINTAIN MINIMUM SLOPE TO WASTEWATER MAIN AND USE DETAIL 520-6-SM TO CONNECT TO WASTEWATER MAIN.
4. IF CONNECTING TO MANHOLE SERVICE LINE SLOPE CAN NOT EXCEED 12% AND IF REQUIRED A DROP MANHOLE CONNECTION WILL BE USED.
5. FOR EXISTING MAIN CONNECTIONS SEE DETAIL (520S-AW-01B-SM)

REFERENCES

- DETAIL 510S-S&L-SM
- DETAIL 520S-AW-01B-SM
- DETAIL 520-4A-SM
- DETAIL 520-6-SM

The City of San Marcos Engineering and Capital Improvements		SINGLE LATERAL CONNECTION	
RECORD COPY SIGNED BY <hr/> LAURIE MOYER, P.E.	6/1/2018 <hr/> ADOPTED	THE ARCHITECT/ENGINEER ASSUMES RESPONSIBILITY FOR APPROPRIATE USE OF THIS STANDARD.	STANDARD NO. 520S-1-SM 2 OF 2