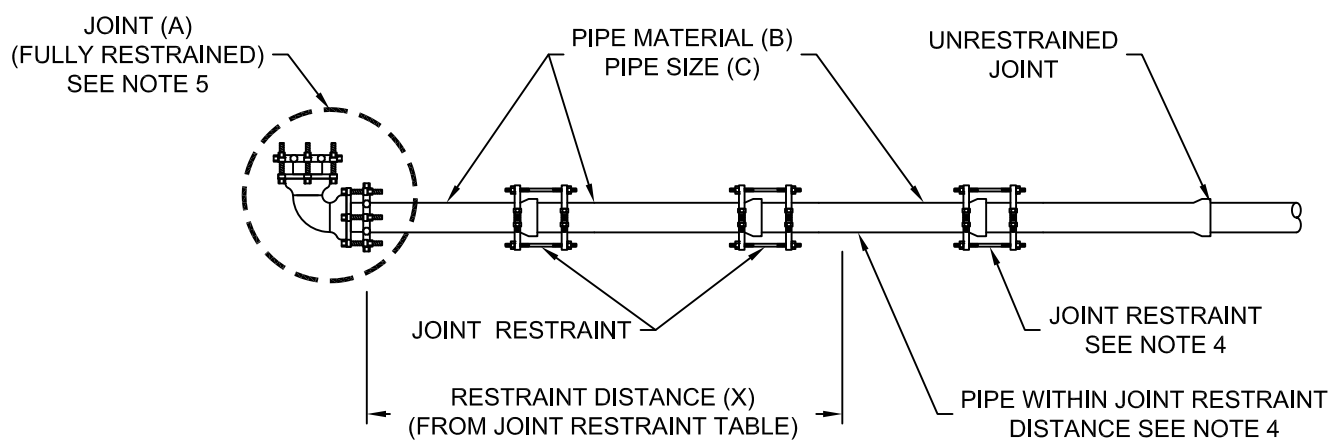


TYPICAL RESTRAINT

EXAMPLE:

JOINT RESTRAINT TABLE			
JOINT (TYPE)	PIPE MATERIAL	PIPE SIZE	RESTRAINT DISTANCE
JOINT (A) SEE NOTE 5	MATERIAL (B)	SIZE (C)	RESTRAINT DISTANCE (X)



NOTES:

1. ALL JOINT RESTRAINTS WILL BE PER CURRENT CITY OF SAN MARCOS STANDARD PRODUCT LIST.
2. ALL BELL JOINTS RESTRAINTS AND METAL PIPES WILL BE WRAPPED IN 8 MIL POLY PER SPL 27D.
3. A JOINT RESTRAINT TABLE FOR ALL FITTINGS WILL BE SUBMITTED WITH PLANS.
4. CONTRACTOR SHALL RESTRAIN ALL JOINTS WITHIN THE REQUIRED RESTRAINT DISTANCE PLUS THE NEXT JOINT OUTSIDE THE REQUIRED RESTRAINT DISTANCE.
5. JOINT RESTRAINT TABLE MUST INCLUDE ALL JOINTS AND FITTINGS THAT RESTRICT THE FLOW OF WATER THAT ARE IN THE PLAN SET INCLUDING BUT NOT LIMITED TO: (BENDS, TEES, CROSSES, VALVES, DEAD ENDS, REDUCERS...ETC)
6. PIPES SECTION AND JOINTS THAT ARE RESTRAINED SHALL HAVE A ADHESIVE TAPE TO THE TOP OF THE PIPE AND JOINTS PER SPL ITEM WW-597A ALONG THE FULL LENGTH OF THE RESTRAINT PIPE SECTION.

The City of San Marcos Engineering and Capital Improvements		PIPE RESTRAINT BELL JOINTS	
RECORD COPY SIGNED BY _____ LAURIE MOYER, P.E.	2/15/2019 _____ ADOPTED	THE ARCHITECT/ENGINEER ASSUMES RESPONSIBILITY FOR APPROPRIATE USE OF THIS STANDARD.	STANDARD NO. 510S-PR-SM 1 OF 1