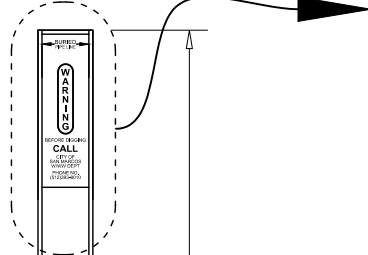


3" DECAL SHALL BE WITH WHITE LETTERING BACKGROUND PER UTILITY MARKER TABLE

LONG DURABLE AND FLEXIBLE UTILITY MARKER FOR PIPE LINE AND SHALL BE MANUFACTURED BY CARSONITE INTERNATIONAL UTILITY MARKERS (CRM) OR APPROVED EQUAL

STICKER



48" - 54"

**L
A
B
E
L**

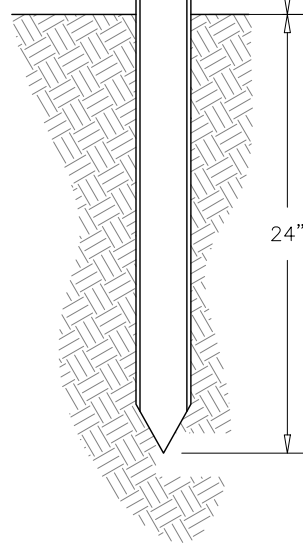
UTILITY MARK TABLE			
PIPE LINE TYPE	STICKER BACKGROUND COLOR	LABEL (WHITE TEXT)	*UTILITY MARKER COLOR
WATER	BLUE	WATER	BLUE
SANITARY SEWER	GREEN	SEWER	GREEN
RECLAIMED WATER	PURPLE	RECYCLE	PURPLE

*NOTE IF UTILITY MARKER COLOR CAN NOT BE OBTAINED WHITE UTILITY MARKER WILL BE USED INSTEAD AND LABELTEXT WILL BE THE COLOR LISTED UNDER UTILITY MARKER COLOR.

NOTES

1. PIPE LINE MARKERS SHALL BE LOCATED AT THE FOLLOWING LOCATION WHERE A MAIN IS INSTALLED IN RURAL AREAS.
 - A. 500' INTERVALS ALONG PIPE
 - B. FENCES ALONG THE PIPE CENTERLINE
 - C. ALL AT GRADE APPURTENANCES (VALVES, AIR RELEASE VALVES, ETC.).
 - D. RAILROAD CROSSING
 - E. STREAM BED
 - F. OTHER UTILITY CROSSING
 - G. LOCATIONS OF MAJOR CHANGES IN DIRECTION (OUT OF PAVEMENT).

24"



The City of San Marcos
Engineering and Capital Improvements

CURRENT AS OF
1/1/2021

PIPE LINE MARKER

RECORDED COPY SIGNED BY
LAURIE MOYER, P.E.

7-10-2015
ADOPTED

THE ARCHITECT/ENGINEER ASSUMES RESPONSIBILITY FOR APPROPRIATE USE OF THIS STANDARD

510S-M-SM
N.T.S. STANDARD DETAIL