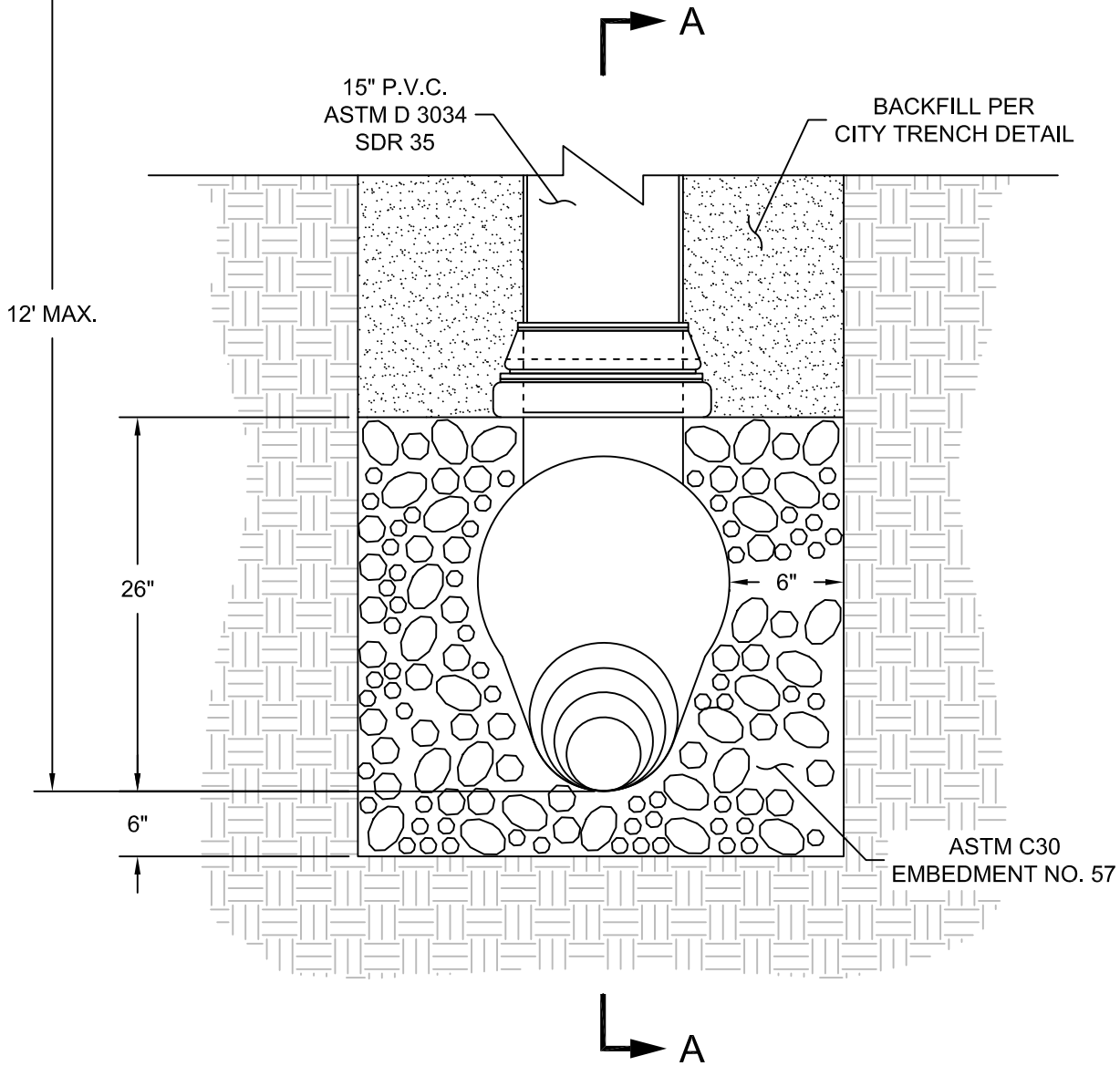
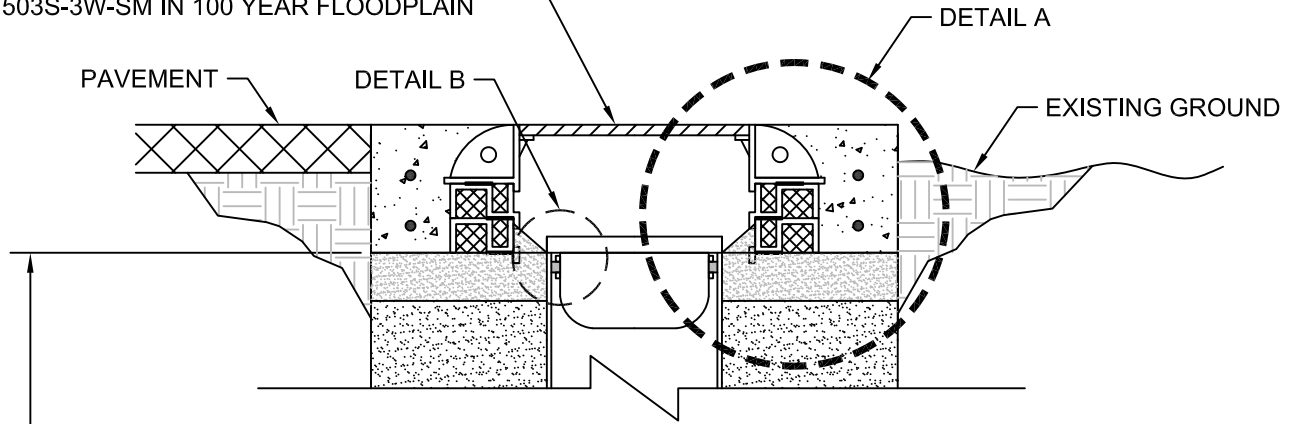
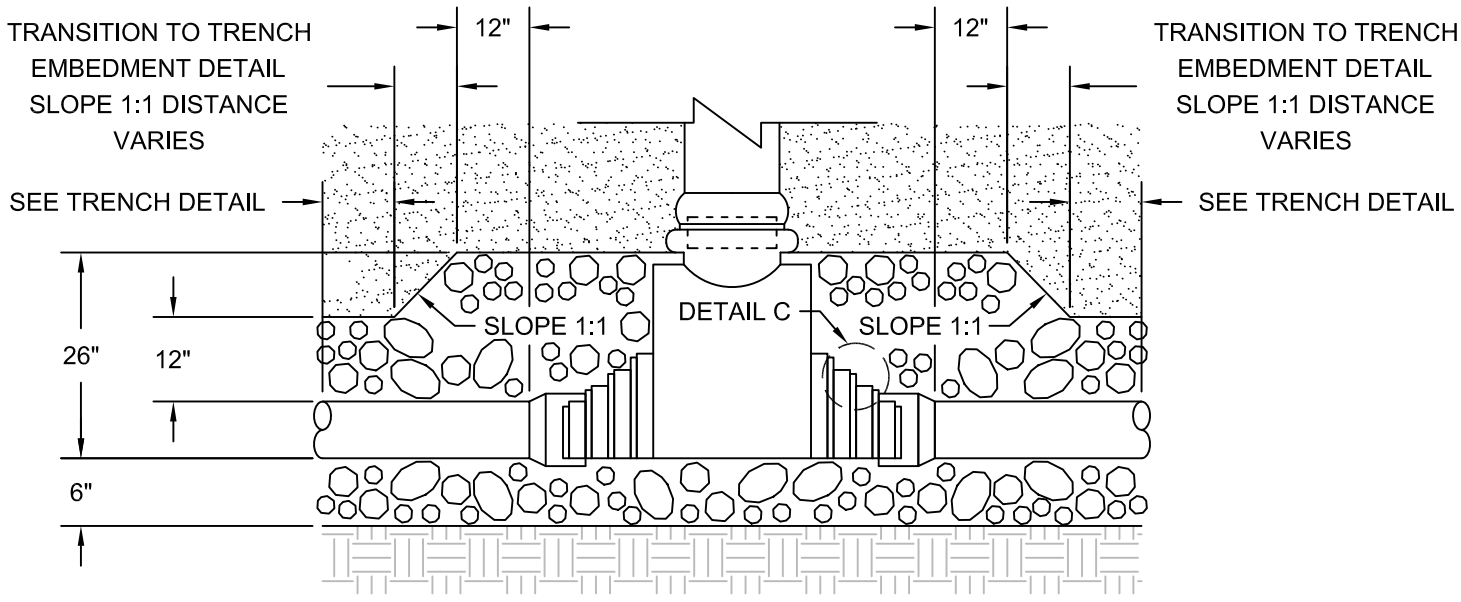


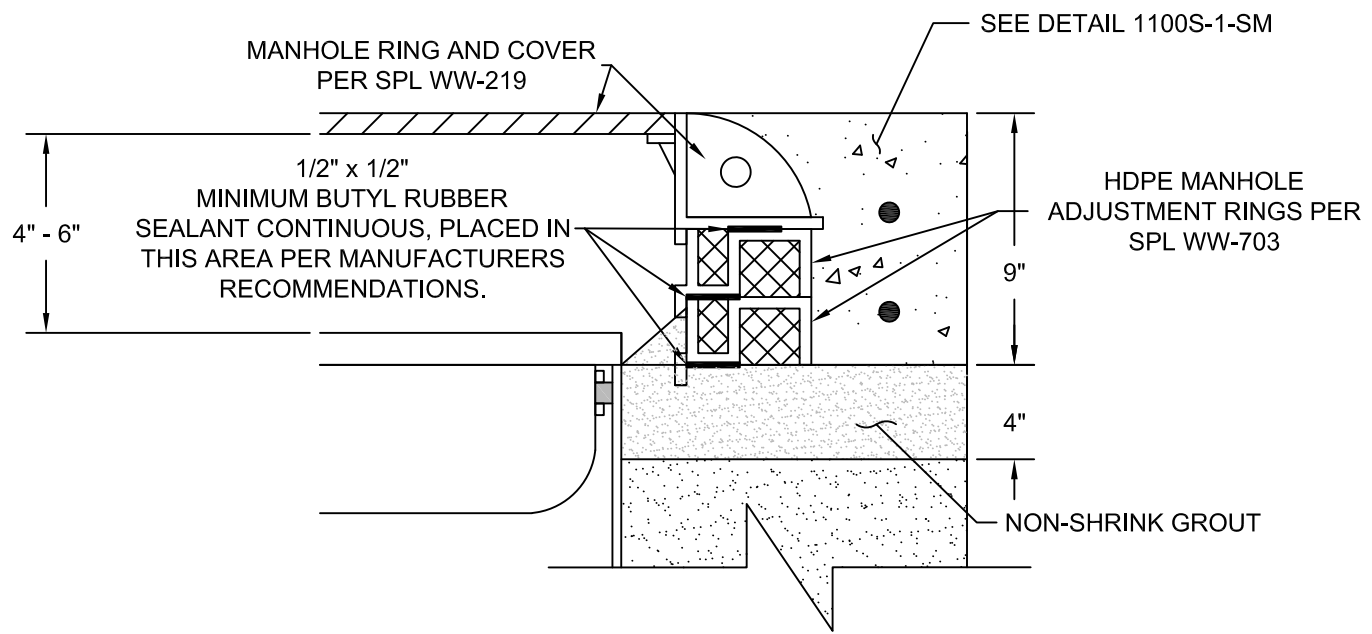
24" STANDARD CASTING
& COVER, SEE DETAIL
503S-2W-SM OUT OF 100 YEAR FLOODPLAIN
503S-3W-SM IN 100 YEAR FLOODPLAIN



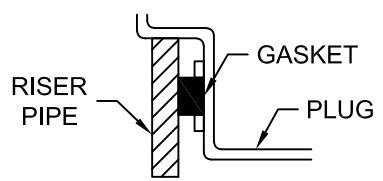
<p>The City of San Marcos Engineering and Capital Improvements</p>	<p>CURRENT AS OF 1/1/2020</p>	<p>WASTEWATER ACCESS DEVICE (W.A.D.)</p>	
<p>RECORD COPY SIGNED BY LAURIE MOYER, P.E.</p>	<p>6/1/2018 ADOPTED</p>	<p>THE ARCHITECT/ENGINEER ASSUMES RESPONSIBILITY FOR APPROPRIATE USE OF THIS STANDARD.</p>	<p>STANDARD NO. 506S-WAD-SM 1 OF 2</p>



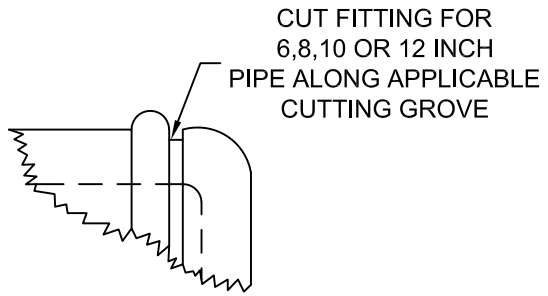
SECTION A-A



DETAIL A



DETAIL B



DETAIL C

REFERENCES
 DETAIL 503S-2W-SM
 DETAIL 503S-3W-SM
 DETAIL 1100S-1-SM

<p>The City of San Marcos Engineering and Capital Improvements</p>	<p>CURRENT AS OF 1/1/2020</p>	<p>WASTEWATER ACCESS DEVICE (W.A.D.)</p>	
<p>RECORD COPY SIGNED BY LAURIE MOYER, P.E.</p>	<p>6/1/2018 ADOPTED</p>	<p>THE ARCHITECT/ENGINEER ASSUMES RESPONSIBILITY FOR APPROPRIATE USE OF THIS STANDARD.</p>	<p>STANDARD NO. 506S-WAD-SM 2 OF 2</p>