

SEE DETAIL 506S-4A-SM FOR GRADE RINGS, CONCRETE COLLAR, AND RING & COVERS

PRECAST SECTION SPL WW-146 SEE NOTE 4

BACKFILL PER TRENCH DETAILS

TYPICAL O-RING SPL WW-146C

COATING AS SPECIFIED AFTER VACUUM TESTING IS COMPLETED SEE NOTE 7

CAULK INSIDE OF ALL JOINTS

DROP BOWL

CUT V NOTCH ON BOTTOM OF PIPE FROM WALL TO BOWL TO HELP FLOW

STD. PIPE TO MH CONNECTOR SPL WW-146D ALL WALL PENETRATIONS TYP.

USE THE SAME PIPE MATERIAL AS LINE BEING CONSTRUCTED.

STAINLESS STEEL WITH GASKET COUPLING BAND CONNECTOR

STAINLESS STEEL PIPE STRAPS ANCHORED IN CONCRETE WALL AT 4" MAX. SPACING WITH MIN. OF 2 PER PIPE JOINT

90° LONG BEND TO BE PLACE LEVELED WITH BOTTOM OF INVERTED U CHANNEL

MIN. MANHOLE DIAMETER	
PIPE SIZE	MIN. DIA.
LESS THAN 18"	5'-0"
18" - 24"	5'-0"
30" - 36"	6'-0"
GREATER THAN 36"	7'-0"

NOTES: THESE ARE MINIMUMS. DIAMETER SIZE MAY INCREASE DEPENDING ON NUMBER OF CONNECTIONS NEEDED. (DROP DOWN PIPE WILL BE A MINIMUM OF 4 FEET FROM MANHOLE WALL OPPOSITE OF IT'S PLACEMENT.)

1" NON-SHRINK GROUT CONTINUOUS ALONG MANHOLE BASE JOINT

MANHOLE REHAB SPL 511A STARTING POINT SEE NOTE 7

NON-SHRINK GROUT

SEE NOTE 6

ASTM C33 EMBEDMENT SIZE NO. 57 OR SIZE NO. 67

#5 RING

6" MIN. 2' MAX.

#5 at 12" ON CENTER VERTICAL

3,000 P.S.I. CONCRETE

**SECTION A-A**

**NOTES:**

1. SEE PLANS FOR MANHOLE LOCATION, CONFIGURATION, PIPE SIZES AND TYPES.
2. SEE SPECIFICATIONS ON MATERIALS AND CONSTRUCTION.
3. MONOLITHIC MANHOLE TO BE CAST-IN-PLACE SHALL CONFORM TO ASTM SPECIFICATION C478 FOR MATERIALS AND DESIGN. MANUFACTURER TO PROVIDE DETAILS.
4. MANHOLES FOR MAINS 24" AND LARGER SHALL HAVE ECCENTRIC RISER SECTIONS.
5. IF IN 100 YEAR FLOOD PLAIN USE MANHOLE COVER DETAIL 503S-5W-SM (BOLTED)
6. DEPTH OF U CHANNEL WILL BE 3/4 THE DIAMETER OF PIPES 24" OR LESS AND WILL BE THE DIAMETER OF PIPES GREATER THEN 24"
7. MANHOLE COATING LIMITS - COAT ALL OF THE MANHOLE WALLS  
AT TOP OF MANHOLE: SEE DETAIL 506S-4A-SM FOR END LOCATION AT GRADE RINGS  
AT BOTTOM OF MANHOLE:

NEW MANHOLES - COAT PER SPL 511; INCLUDING THE BOTTOM AND INVERT

MANHOLE REHABILITATION - COAT PER SPL 511A; EXCLUDING THE BOTTOM AND INVERT

The City of San Marcos  
Engineering and Capital Improvements

CURRENT AS OF  
1/1/2020

**PRE-CAST INSIDE DROP SANITARY  
SEWER MANHOLE**

RECORD COPY SIGNED BY

6/1/2018

THE ARCHITECT/ENGINEER ASSUMES  
RESPONSIBILITY FOR APPROPRIATE USE  
OF THIS STANDARD.

STANDARD NO.

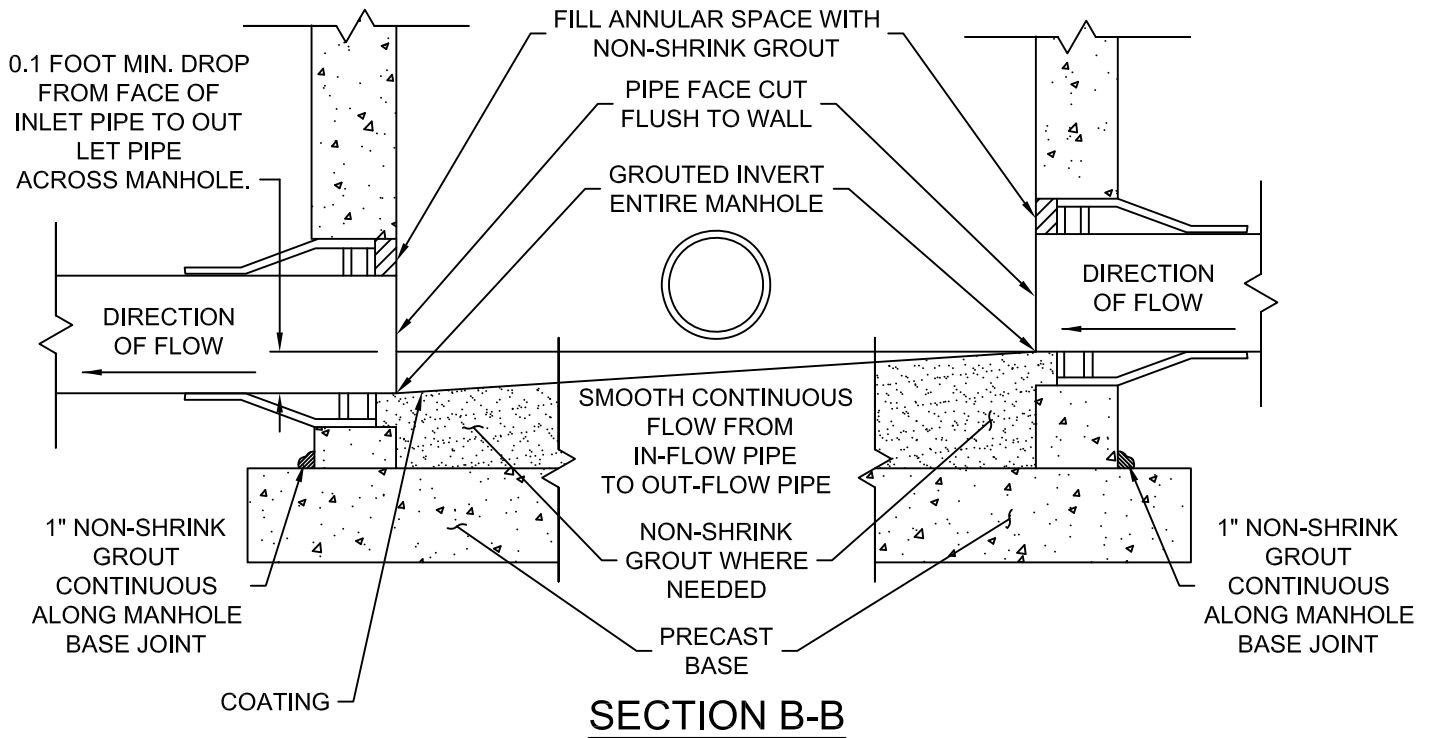
**506S-8A-SM**

Laurie Moyer, P.E.

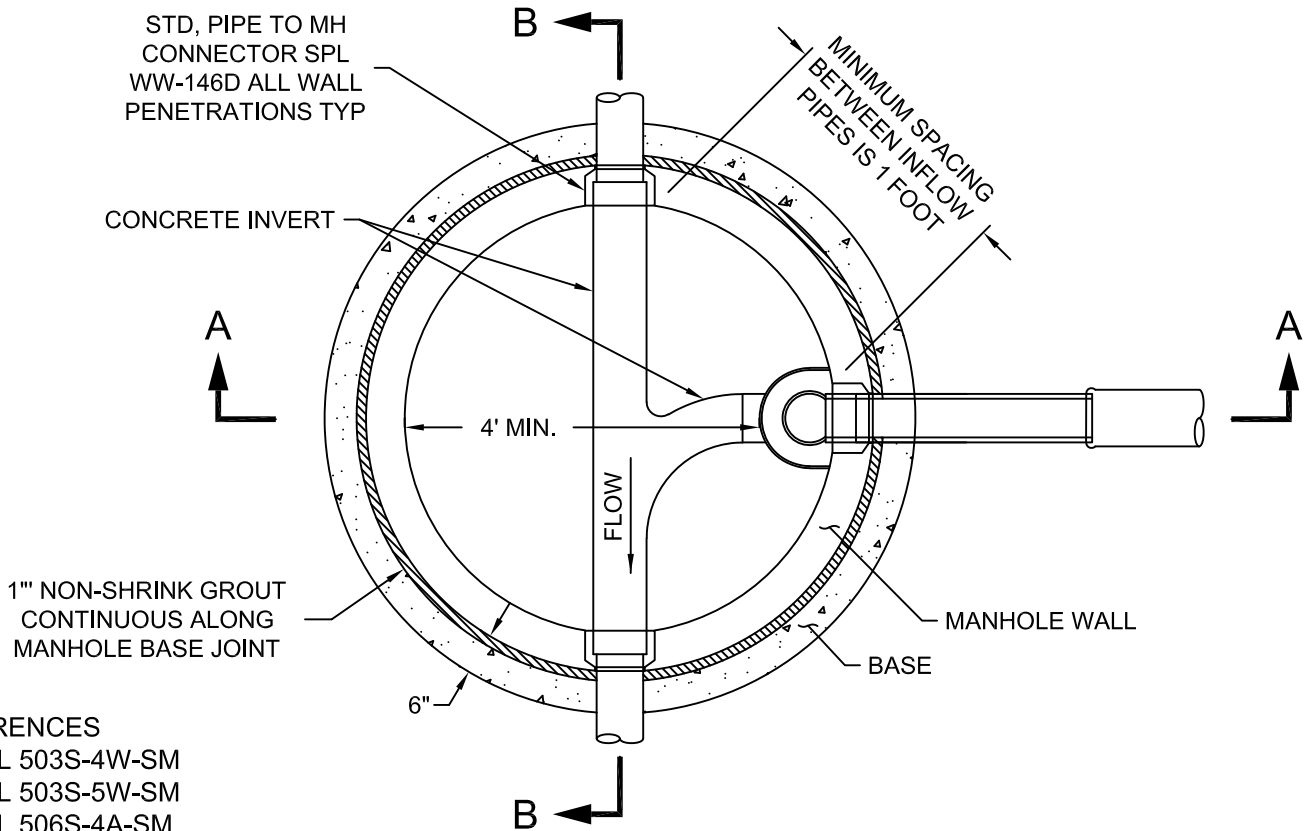
ADOPTED

1 OF 2

## INVERT DETAIL



## INVERT PLAN VIEW



<b>The City of San Marcos</b> Engineering and Capital Improvements	CURRENT AS OF 1/1/2020	<b>PRE-CAST INSIDE DROP SANITARY                  SEWER MANHOLE</b>	
RECORD COPY SIGNED BY <hr/> LAURIE MOYER, P.E.	6/1/2018 <hr/> ADOPTED	THE ARCHITECT/ENGINEER ASSUMES RESPONSIBILITY FOR APPROPRIATE USE OF THIS STANDARD.	STANDARD NO. <b>506S-8A-SM</b> 2 OF 2