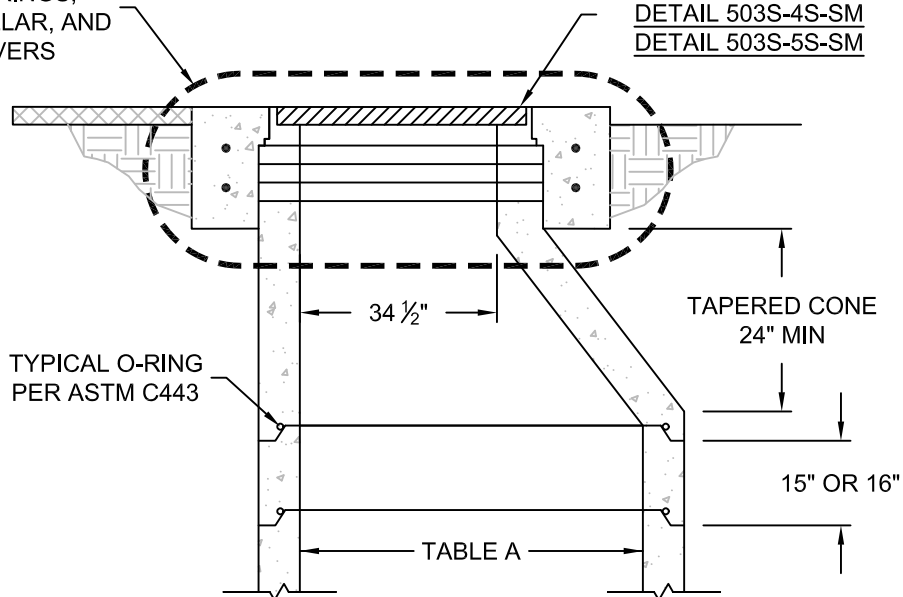


PLAN VIEW

SEE DETAIL 506S-4A-SM
FOR GRADE RINGS,
CONCRETE COLLAR, AND
RING & COVERS

32" STANDARD CASTING
DETAIL 503S-4S-SM
DETAIL 503S-5S-SM

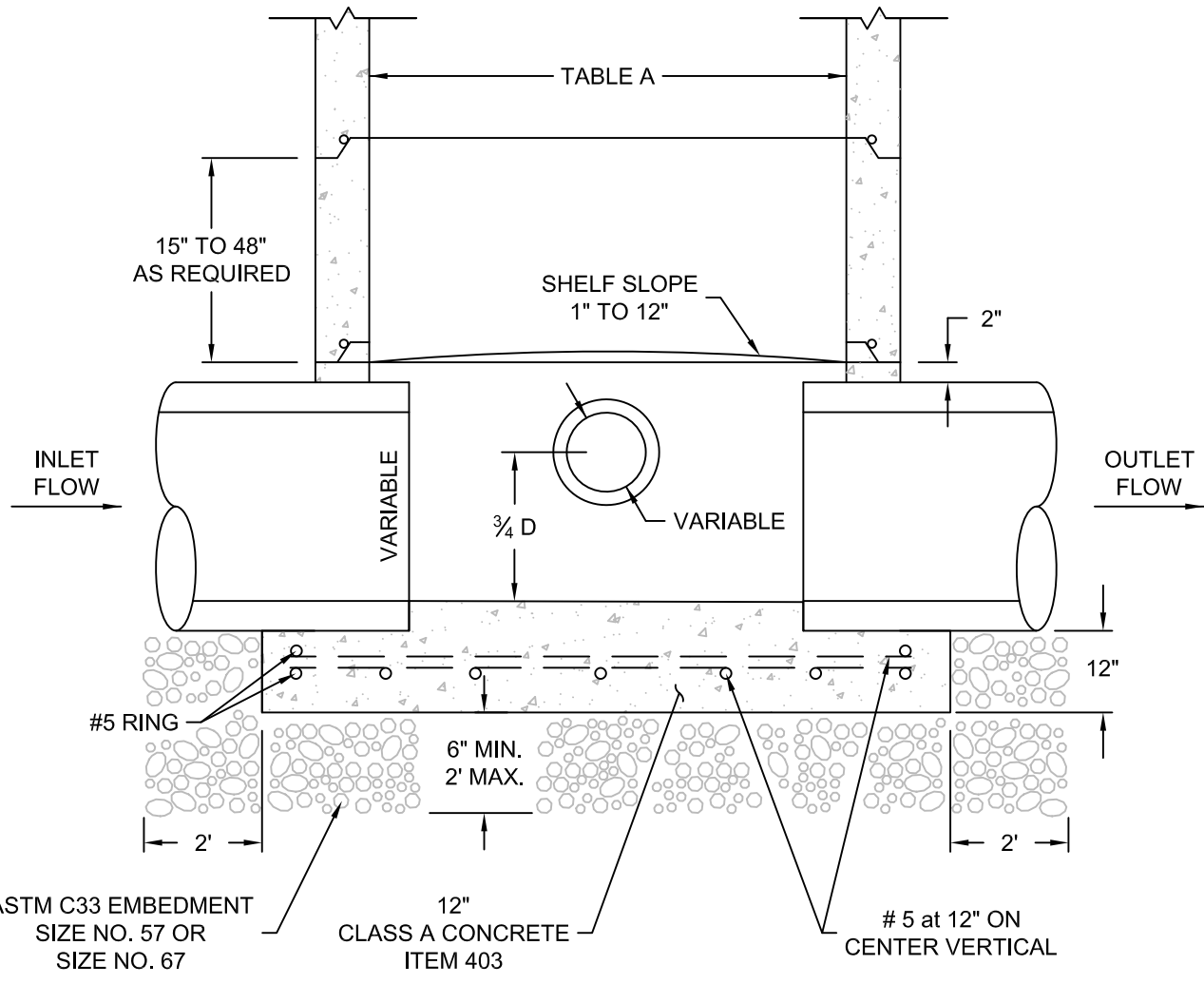


ALTERNATE SECTION MAY BE SUBMITTED FOR APPROVAL

TABLE A	
MINIMUM MANHOLE DIA.	PIPE SIZE
4'-0"	LESS THEN 30"
5'-0"	30" TO 42"
6'-0"	48" TO 54"
7'-0"	60" TO 66"

THESE ARE MINIMUM. SIZE TO BE USED IS DEPENDENT ON DRAIN ANGLES.

The City of San Marcos Engineering and Capital Improvements		PRE-CAST STORM DRAIN MANHOLE	
RECORD COPY SIGNED BY <hr/> LAURIE MOYER, P.E.	CURRENT AS OF 1/1/2020 2/15/2019 ADOPTED	THE ARCHITECT/ENGINEER ASSUMES RESPONSIBILITY FOR APPROPRIATE USE OF THIS STANDARD.	STANDARD NO. 506S-3-SM 1 OF 2



SECTION A-A

<p>The City of San Marcos Engineering and Capital Improvements</p>	<p>CURRENT AS OF 1/1/2020</p>	<p>PRE-CAST STORM DRAIN MANHOLE</p>	
<p>RECORD COPY SIGNED BY LAURIE MOYER, P.E.</p>	<p>2/15/2019 ADOPTED</p>	<p>THE ARCHITECT/ENGINEER ASSUMES RESPONSIBILITY FOR APPROPRIATE USE OF THIS STANDARD.</p>	<p>STANDARD NO. 506S-3-SM 2 OF 2</p>