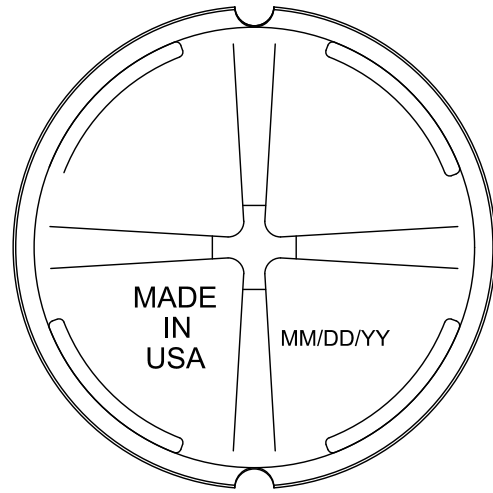
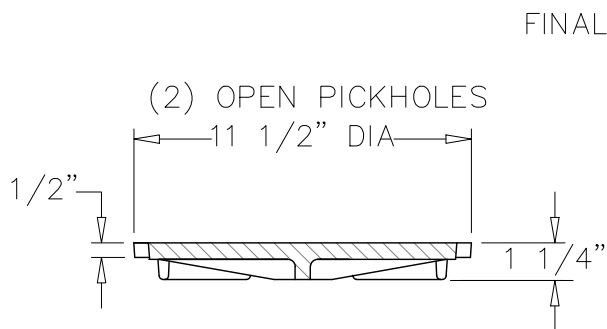


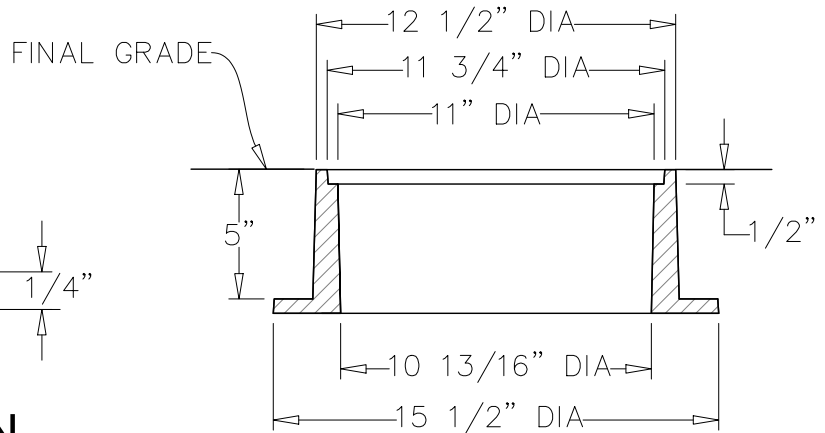
PLAN VIEW



COVER BACK



COVER SECTION
SECTION A-A



RING SECTION
SECTION A-A

NOTES:

- COVER SHALL BE EAST JORDAN IRON WORKS OR APPROVED EQUIVALENT.

The City of San Marcos
Engineering and Capital Improvements

CURRENT AS OF
1/1/2021

CLEANOUT RING AND COVER

RECORD COPY SIGNED BY

Laurie Moyer, P.E.

6/30/2014

ADOPTED

THE ARCHITECT/ENGINEER ASSUMES
RESPONSIBILITY FOR APPROPRIATE
USE OF THIS STANDARD

503S-7W-SM

N.T.S. STANDARD DETAIL