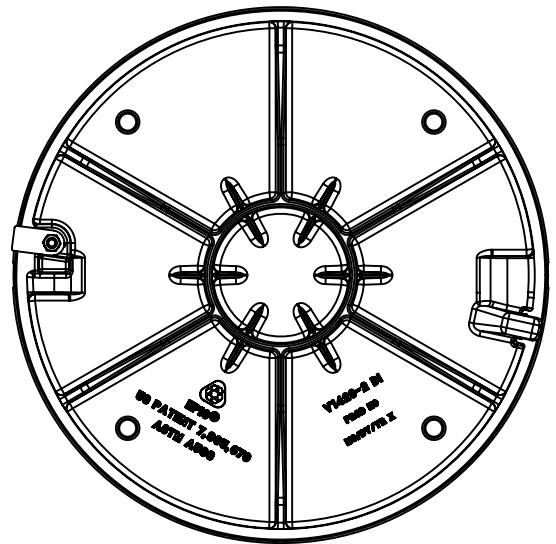
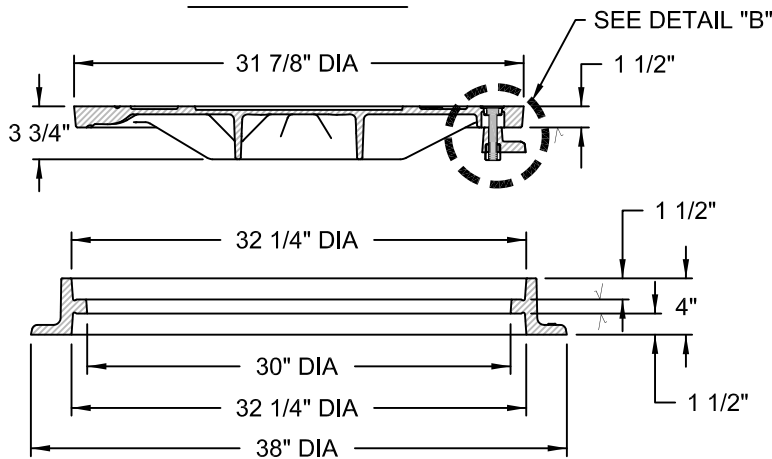




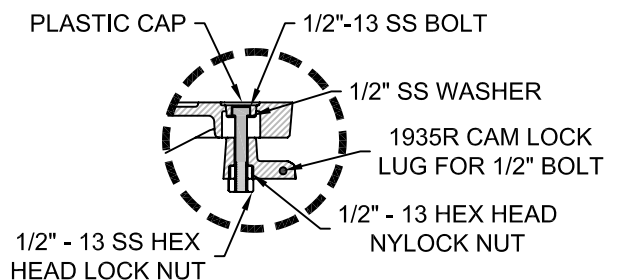
PLAN VIEW



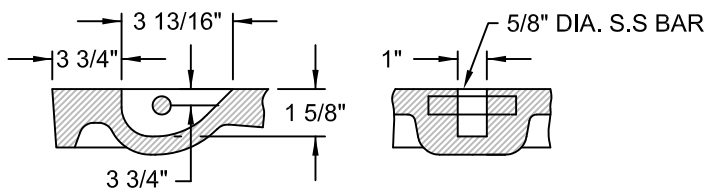
BOTTOM VIEW



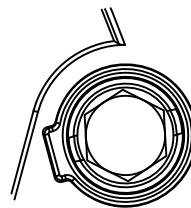
SECTION VIEW



DETAIL "B"



PICKBAR DETAIL



DETAIL "A"



CUSTOM LOGO

NOTE:

1. THIS DETAIL IS FOR USE IN PUBLIC INFRASTRUCTURE ONLY. PRIVATE INFRASTRUCTURE WILL NOT HAVE CITY OF SAN MARCOS LOGO.
2. COVER SHALL BE EAST JORDAN IRON WORKS OR APPROVED EQUIVALENT.

REFERENCES

DETAIL 506S-4A-SM

<p>The City of San Marcos Engineering and Capital Improvements</p>		<p>STORM DRAIN MANHOLE RING AND COVER 31 7/8"</p>	
<p>RECORD COPY SIGNED BY</p>	<p>2/15/2019</p>	<p>THE ARCHITECT/ENGINEER ASSUMES RESPONSIBILITY FOR APPROPRIATE USE OF THIS STANDARD.</p>	<p>STANDARD NO.</p>
<p>LAURIE MOYER, P.E.</p>	<p>ADOPTED</p>		<p>503S-4S-SM</p>
		<p>1 OF 1</p>	